

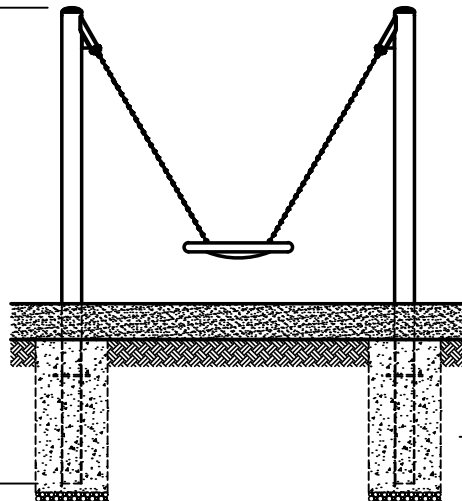
TOP VIEW

SCALE: 3/16" = 1'-0"

8'-2 5/8" [2505 mm]
TOP OF POST

0'-0" [0 mm]
FINISHED GRADE

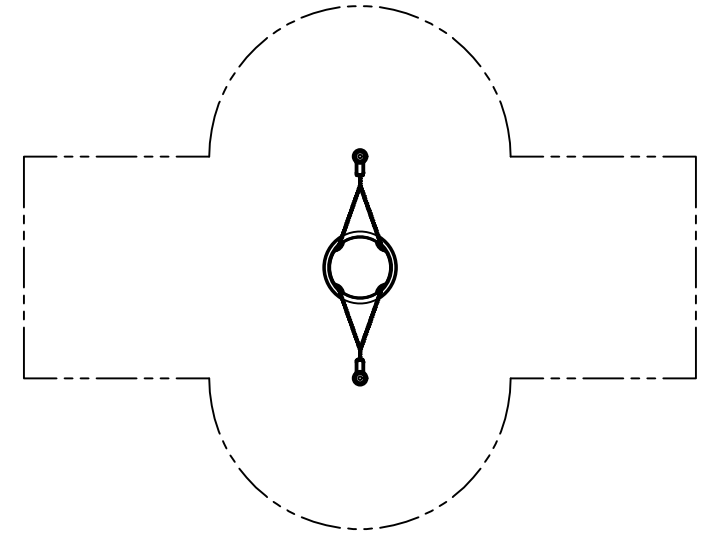
-(5'-0") [1524 mm]
BOTTOM OF POST



NOTE:
CONCRETE FOOTING
AND NO. 4 REBAR
(BY OTHERS) PER
LOCAL SOIL CONDITIONS.
CONSULT PROJECT
ENGINEER FOR EXACT
REQUIREMENTS.

FRONT VIEW

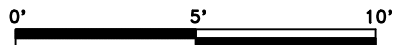
SCALE: 3/16" = 1'-0"



EQUIPMENT ONLY:
15' x 10' (4.6m x 3.0m)
MINIMUM SAFE USE ZONE:
28' x 22' (8.5m x 6.7m)

TOP VIEW WITH USE ZONE

SCALE: 1/8" = 1'-0"



This drawing reveals the copyrighted intellectual property of Columbia Cascade Company. Not for use by others without our express, written authorization.

Authorization for use is hereby granted to architects, landscape architects and similar design professionals solely for the purpose of specifying TimberForm products.



Scale	Drawn by: Ian	11-16-17
NOTED	Ck'd by: AT	11-16-17



COLUMBIA CASCADE COMPANY

Makers of TimberForm®, PipeLine®, RePlay®, TimberForm®-2, InterPlay®, CycLoops® and CycLocker® Products.

1300 S.W. Sixth Avenue, Suite 310 Telephone 503/223-1157
Portland, Oregon 97201-3464 Facsimile 503/223-4530
U.S.A.

WWW.TIMBERFORM.COM

Title:
PIPELINE
MODEL NO. 1555-1-PL
SINGLE NEST SWING

Drawing No.
W-1555-1-PL

Sheet
1 of 1