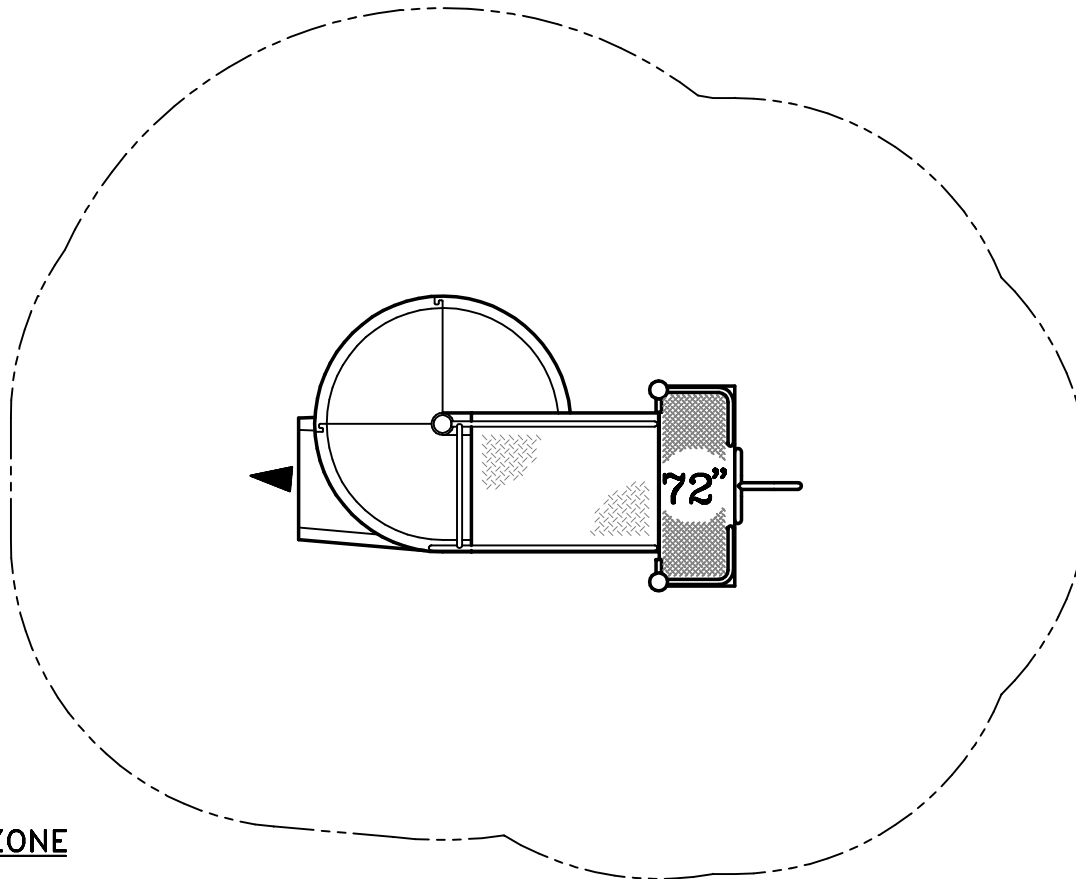


APPROPRIATE FOR CHILDREN 5 TO 12 YEARS OF AGE

1956-6-21-PL FEATURES:

PLATFORM WITH VERTICAL
SAFETY CLIMBER

SPIRAL SLIDE CHUTE
(PLASTIC)
WITH HANDRAILS.



PLAN VIEW WITH USE ZONE

SCALE: 1/4" = 1'-0"

EQUIPMENT ONLY:

11' x 7' (3.4m x 2.2m)

MINIMUM SAFE USE ZONE:

23' x 19' (7.1m x 5.8m)

SAFE USE ZONE BORDER



This drawing reveals the copyrighted intellectual property of Columbia Cascade Company. Not for use by others without our express, written authorization.

Authorization for use is hereby granted to architects, landscape architects and similar design professionals solely for the purpose of specifying TimberForm products.



Scale	Drawn by: AT	07-26-12
NOTED	Ck'd by: CL	07-26-12



COLUMBIA CASCADE COMPANY

Makers of TimberForm®, PipeLine®,
RePlay®, TimberForm®-2, InterPlay®,
CycLoops® and CycLocker® Products.

1300 S.W. Sixth Avenue, Suite 310 Telephone 503/223-1157
Portland, Oregon 97201-3464 Facsimile 503/223-4530
U.S.A.

WWW.TIMBERFORM.COM

Title:

SEPARATES
MODEL NO. 1956-6-21-PL
SPIRAL SLIDE CHUTE (PLASTIC),
VERTICAL SAFETY CLIMBER

Drawing No.
E-1956-6-21-PL

Sheet
1 of 1