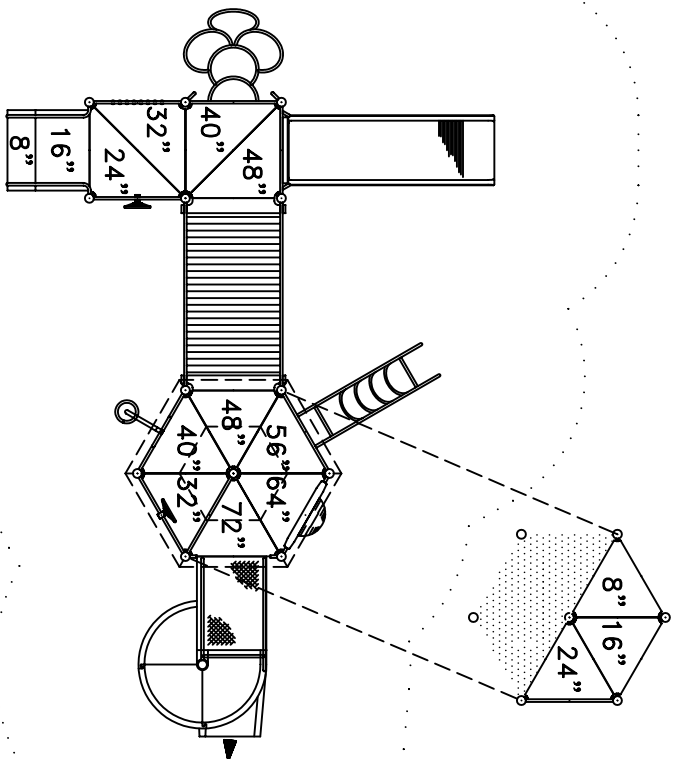


APPROPRIATE FOR CHILDREN 5 TO 12 YEARS OF AGE

- 3808-01-PL FEATURES:**
- ACCESSIBLE TRANSFER STATION
 - ARCH RING CLIMBER
 - BALUSTER WALL
 - BALUSTER WALL WITH SHIP'S WHEEL (2)
 - BUBBLE PANEL
 - CHIME WALL
 - CLATTER BRIDGE WITH BALUSTER WALLS
 - COIL CLIMBER
 - HEX ROOF WITH LIGHTHOUSE LOOP CLIMBER
 - SPIRAL SLIDE CHUTE
 - WIDE CHUTE

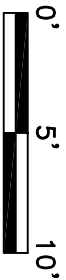
- ACCESSIBILITY PROFILE:**
- 10 TOTAL PLAY COMPONENTS
 - 9 ELEVATED PLAY COMPONENTS (9 ACCESSIBLE)
 - 1 GROUND LEVEL PLAY COMPONENTS (1 ACCESSIBLE)



WELCOME/
RULES SIGN

PLAY AREA, EQUIPMENT ONLY:
31' x 21' (9.5m x 6.5m)

MINIMUM SAFE USE ZONE:
43' x 33' (13.2m x 10.1m)



This drawing reveals the copyrighted intellectual property of Columbia Cascade Company. Not for use by others without our express, written authorization. Authorization for use is hereby granted to architects, landscape architects and similar design professionals solely for the purpose of specifying Timberform products.

Scale: 1/8"=1'-0"
Drawn by: AT
CK'd by: CL
08-21-11
09-21-11



COLUMBIA CASCADE COMPANY

Makers of Timberform®, Pipeline®, RePlay®, Timberform®-2, InterPlay®, Cyclolops® and Cycloster® Products.

1300 S.W. Sixth Avenue, Suite 310 Telephone 503/223-1157
Portland, Oregon 97201-3464 Facsimile 503/223-4530
U.S.A.

WWW.TIMBERFORM.COM

Title:
THEMED PLAY
MODEL NO. 3808-01-PL
LIGHTHOUSE
AREA DRAWING

Drawing No. W-3808-01-PL

Sheet 1 of 1