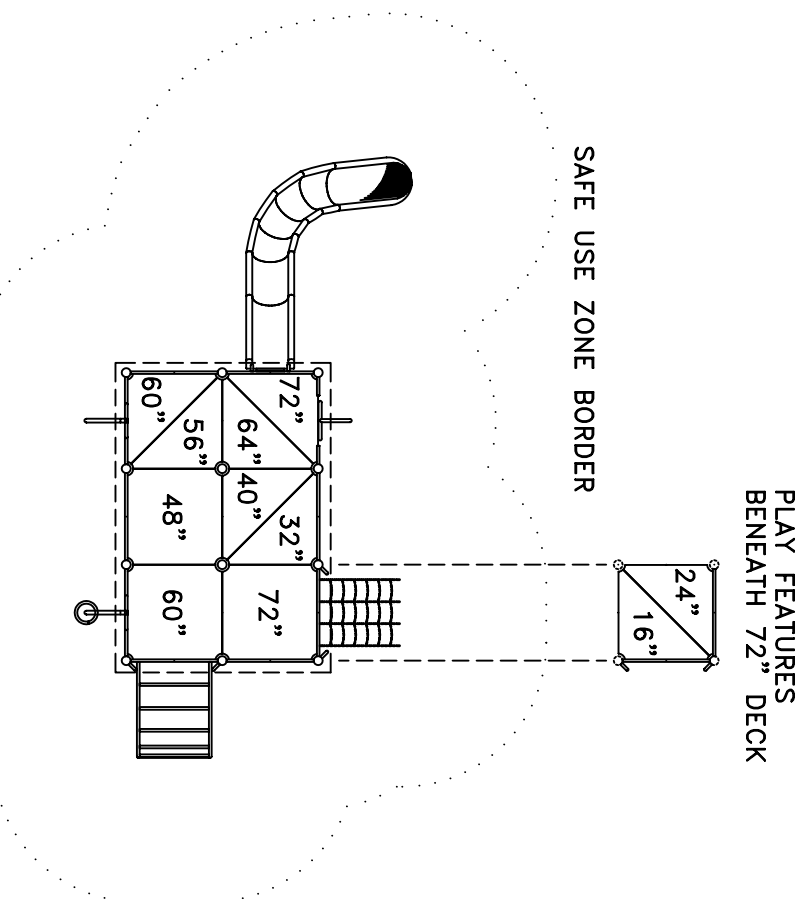


APPROPRIATE FOR CHILDREN 5 TO 12 YEARS OF AGE

3817-03-PL FEATURES:

- ARCH LADDER
- BALUSTER WALL (6)
- BARN LOFT PANELS
- BARN WINDOW PANEL WITH CLEAR WINDOW COVER (2)
- CHAIN CARGO NET
- COIL CLIMBER
- FIREFIGHTER'S POLE
- SLIDE CHUTE, CURVED
- VERTICAL SAFETY CLIMBER
- WELDED WIRE BARN ROOF



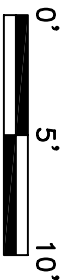
PLAY FEATURES
BENEATH 72" DECK

SAFE USE ZONE BORDER

WELCOME/
RULES SIGN

PLAY AREA, EQUIPMENT ONLY:
26' x 15' (8.0m x 4.6m)
MINIMUM SAFE USE ZONE:
38' x 27' (11.6m x 8.3m)

- ACCESSIBILITY PROFILE:
- 8 TOTAL PLAY COMPONENTS
 - 6 ELEVATED PLAY COMPONENTS
(0 ACCESSIBLE)
 - 2 GROUND LEVEL PLAY COMPONENTS
(2 ACCESSIBLE)



This drawing reveals the copyrighted intellectual property of Columbian Cascade Company. Not for use by others without our express, written authorization. Authorization for use is hereby granted to architects, landscape architects and similar design professions solely for the purpose of specifying Timberform products.

Scale 1/8"=1'-0"
Drawn by: AT
CK'd by: CL
08-21-11
09-21-11

COLUMBIA CASCADE COMPANY



Makers of Timberform®, Pipeline®, RePlay®, Timberform®-2, InterPlay®, Cyclolops® and Cycloaker® Products.

1300 S.W. Sixth Avenue, Suite 310 Telephone 503/223-1157
Portland, Oregon 97201-3464 Facsimile 503/223-4530
U.S.A.

WWW.TIMBERFORM.COM

Title: THEMED PLAY
MODEL NO. 3817-03-PL
BARN
AREA DRAWING

Drawing No. W-3817-03-PL

Sheet 1 of 1