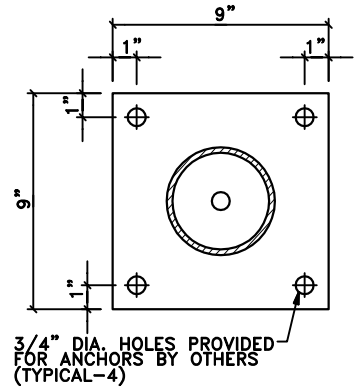
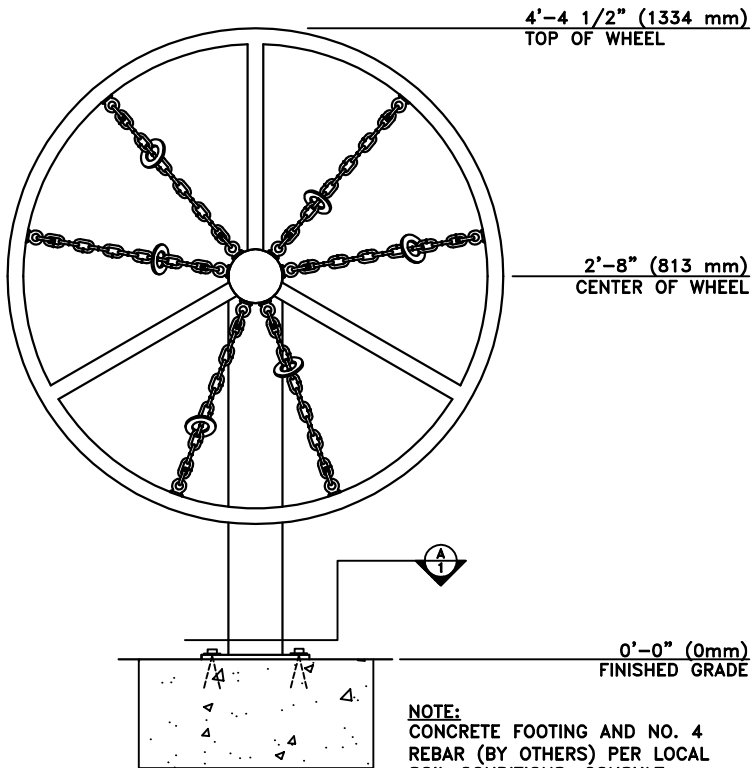


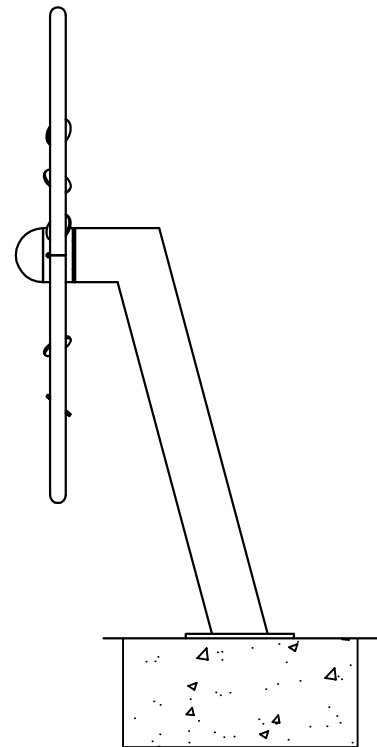
TOP VIEW
SCALE: 3/4"=1'-0"



MOUNTING DETAIL
SCALE 1 1/2"=1'-0"



FRONT VIEW
SCALE: 3/4"=1'-0"



SIDE VIEW
SCALE: 3/4"=1'-0"

NOTE:
CONCRETE FOOTING AND NO. 4 REBAR (BY OTHERS) PER LOCAL SOIL CONDITIONS. CONSULT PROJECT ENGINEER FOR EXACT REQUIREMENTS.

NOTE: SEE IMPORTANT MAINTENANCE INSTRUCTIONS ON DRAWING NO. E-2000-L03

Date	Revision	By
△		
△		
△		
△		
Scale	Drawn by: GE	12-21-18
NOTED	Ch'g by: AT	12-21-18

COLUMBIA CASCADE COMPANY
 Makers of TimberForm®, Pipeline®, RePlay®,
 TimberForm-2 and CycLoops® Products.

1300 S.W. Sixth Avenue, Suite 310 Telephone 503/223-1157
 Portland, Oregon 97201-3404 Facsimile 503/223-4330
 U.S.A.

This drawing reveals the copyrighted intellectual property of Columbia Cascade Company. Not for use by others without our express, written authorization.

Title: **TIMBERFORM MODEL NO. 3841-04 CHAIN CHIME**

Drawing No. **W-3841-04**

Sheet **1 of 1**