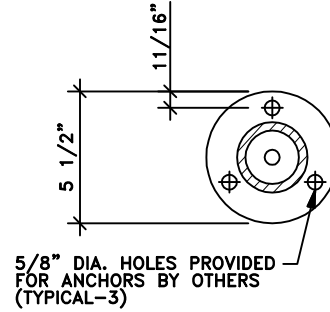
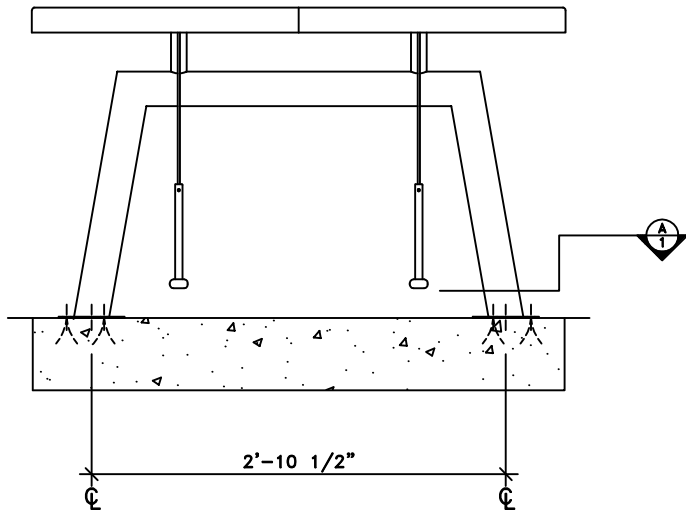


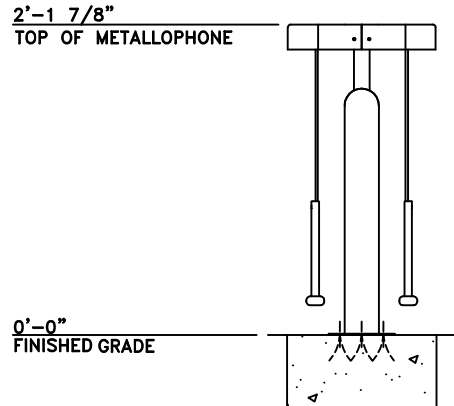
TOP VIEW
SCALE: 3/4"=1'-0"



MOUNTING DETAIL
SCALE 1 1/2"=1'-0"




FRONT VIEW
SCALE: 3/4"=1'-0"



NOTE:
CONCRETE SLAB AND ANCHORING DEVICES (BY OTHERS) PER LOCAL CONDITIONS. CONSULT PROJECT ENGINEER FOR EXACT REQUIREMENTS.

SIDE VIEW
SCALE: 3/4"=1'-0"

NOTE: SEE IMPORTANT MAINTENANCE INSTRUCTIONS ON DRAWING NO. E-2000-L03.

△	Date	Revision	By	 COLUMBIA CASCADE COMPANY Makers of TimberForm®, PipeLine®, RePlay®, TimberForm®-2 and CycLoops® Products. 1300 S.W. Sixth Avenue, Suite 310 Telephone 503/223-1157 Portland, Oregon 97201-3464 Facsimile 503/223-4530 U.S.A.	Title: TIMBERFORM MODEL NO. 3841-05 METALLOPHONE
△					
△					
△					
△					
Scale NOTED	Drawn by: GH 12-21-18	12-21-18	By	This drawing reveals the copyrighted intellectual property of Columbia Cascade Company. Not for use by others without our express, written authorization.	Drawing No. W-3841-05
	Checked by: AT 12-21-18	12-21-18			Sheet 1 of 1