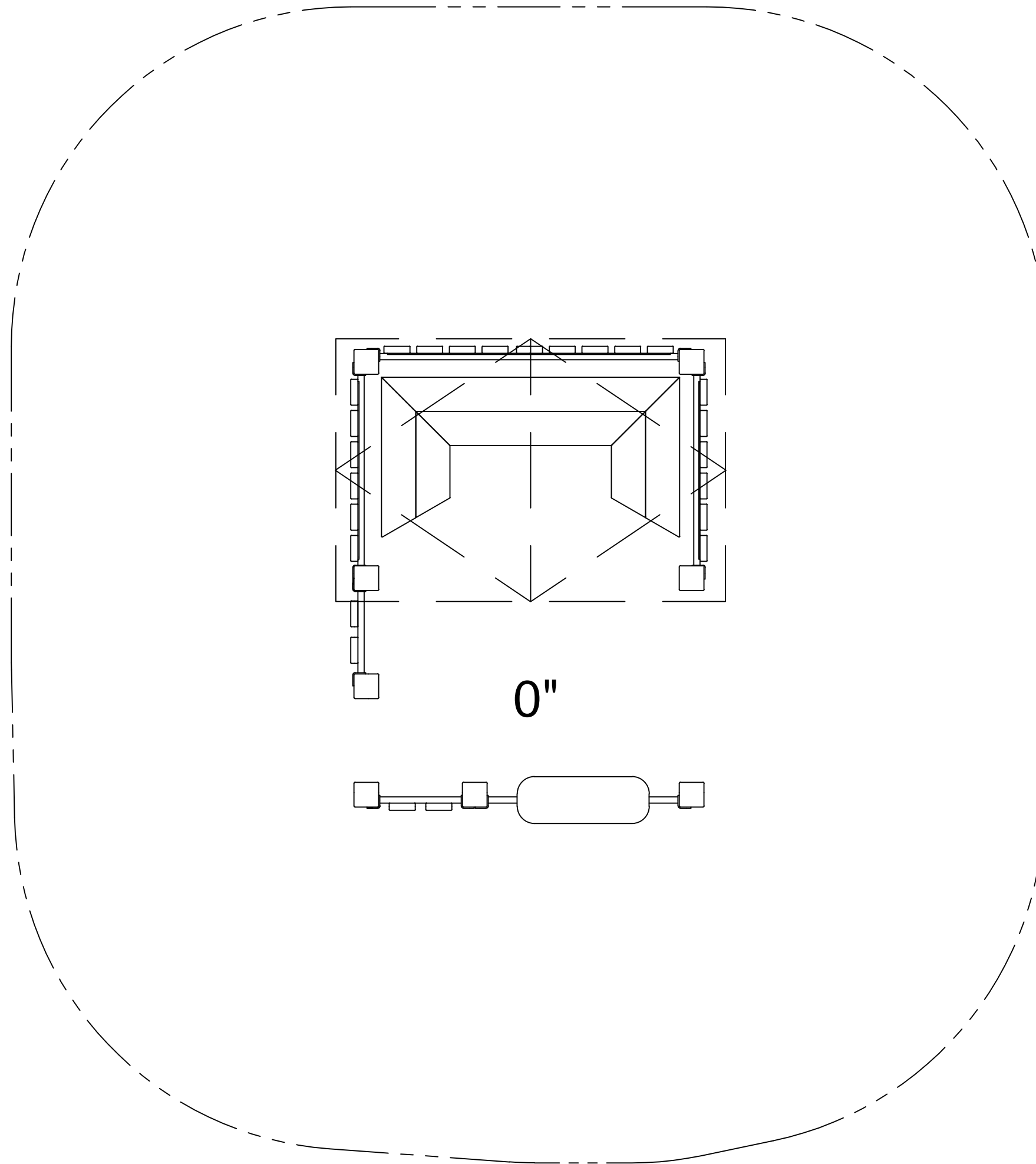
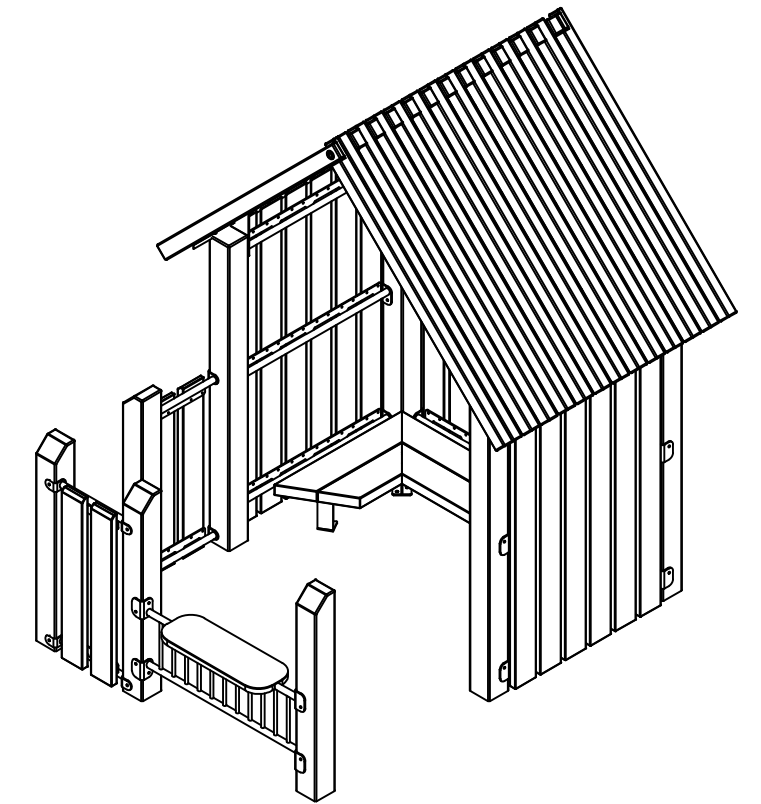


PLAYHOUSE FEATURES:

- GABLE ROOF
- WOOD WALLS
- CUBBY BENCH
- STORE-FRONT COUNTER-TOP

APPROPRIATE FOR CHILDREN 2 TO 5 YEARS OF AGE

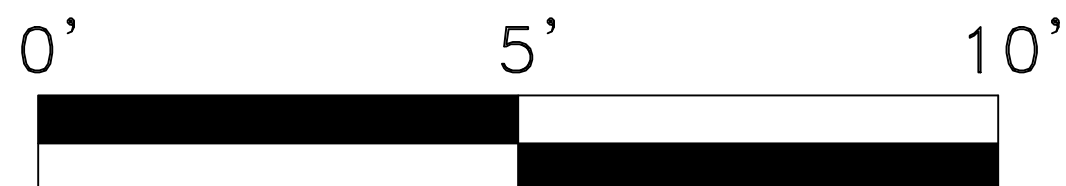


ACCESSIBILITY PROFILE

- 3 TOTAL PLAY COMPONENTS
- 0 ELEVATED PLAY COMPONENTS
- (3 ACCESSIBLE)

PLAY AREA, EQUIPMENT ONLY:
9' X 6' (2.6m X 1.9m)

MINIMUM SAFE USE ZONE:
21' X 18' (6.4m X 5.5m)

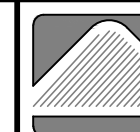


This drawing reveals the copyrighted intellectual property of Columbia Cascade Company. Not for use by others without our express, written authorization.

Authorization for use is hereby granted to architects, landscape architects and similar design professionals solely for the purpose of specifying TimberForm products.



Scale	Drawn by: WW	05-30-23
1/4"=1'-0"	Ck'd by: JH	05-30-23



COLUMBIA CASCADE COMPANY
Makers of TimberForm®, PipeLine®, RePlay®, TimberForm®-2 and CycLoops® Products.

www.TimberForm.com

Phone: 503/223-1157 Email: HQ@TimberForm.com

This drawing reveals the copyrighted intellectual property of Columbia Cascade Company. Not for use by others without our express, written authorization.

Title:
**THEMED PLAY
MODEL NO. 4200-5
PLAYHOUSE
AREA DRAWING**

Drawing No.
W-4200-5

Sheet
1 of 1