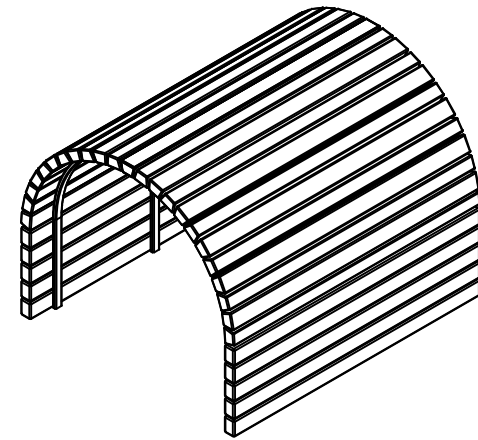


TOP VIEW
SCALE: 1/8" = 1'-0"

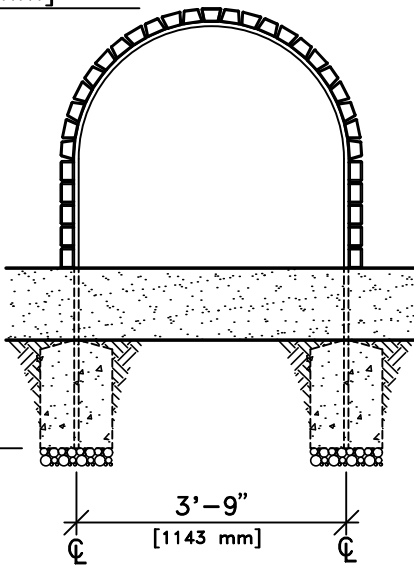


ISOMETRIC VIEW
SCALE: NONE

3'-7 5/16" [1100 mm]
TOP OF TUNNEL

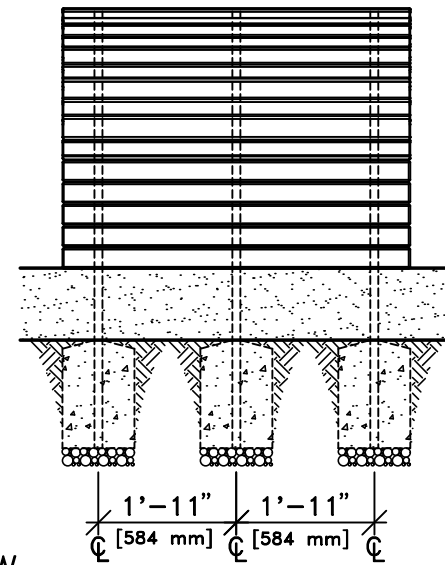
0'-0" [0 mm]
FINISHED GRADE

-(2'-6") [762 mm]
BOTTOM OF FRAME



FRONT VIEW
SCALE: 3/8" = 1'-0"

NOTE:
CONCRETE FOOTING AND NO. 4 REBAR (BY OTHERS) PER LOCAL SOIL CONDITIONS. CONSULT PROJECT ENGINEER FOR EXACT REQUIREMENTS.



SIDE VIEW
SCALE: 3/8" = 1'-0"

This drawing reveals the copyrighted intellectual property of Columbia Cascade Company. Not for use by others without our express, written authorization.

Authorization for use is hereby granted to architects, landscape architects and similar design professionals solely for the purpose of specifying TimberForm products.



Scale	Drawn by: AT	05-02-17
NOTED	Ch'd by: CL	05-02-17



COLUMBIA CASCADE COMPANY

Makers of TimberForm®, PipeLine®, RePlay®, TimberForm®-2, InterPlay®, CycLoops® and CycLocker® Products.

1300 S.W. Sixth Avenue, Suite 310 Telephone 503/223-1157
Portland, Oregon 97201-3464 Facsimile 503/223-4530
U.S.A.

WWW.TIMBERFORM.COM

Title:
**CLASSIC TIMBERFORM
MODEL NO. 4500-022
TIMBER TUNNEL**

Drawing No.
W-4500-022

Sheet
1 of 1