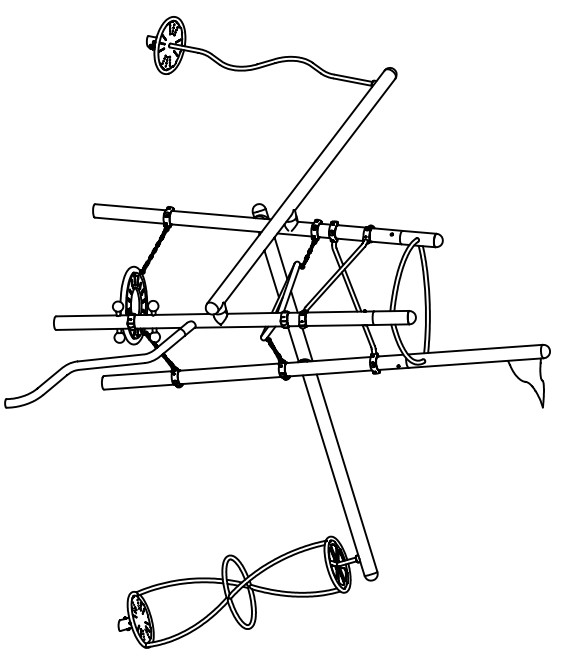
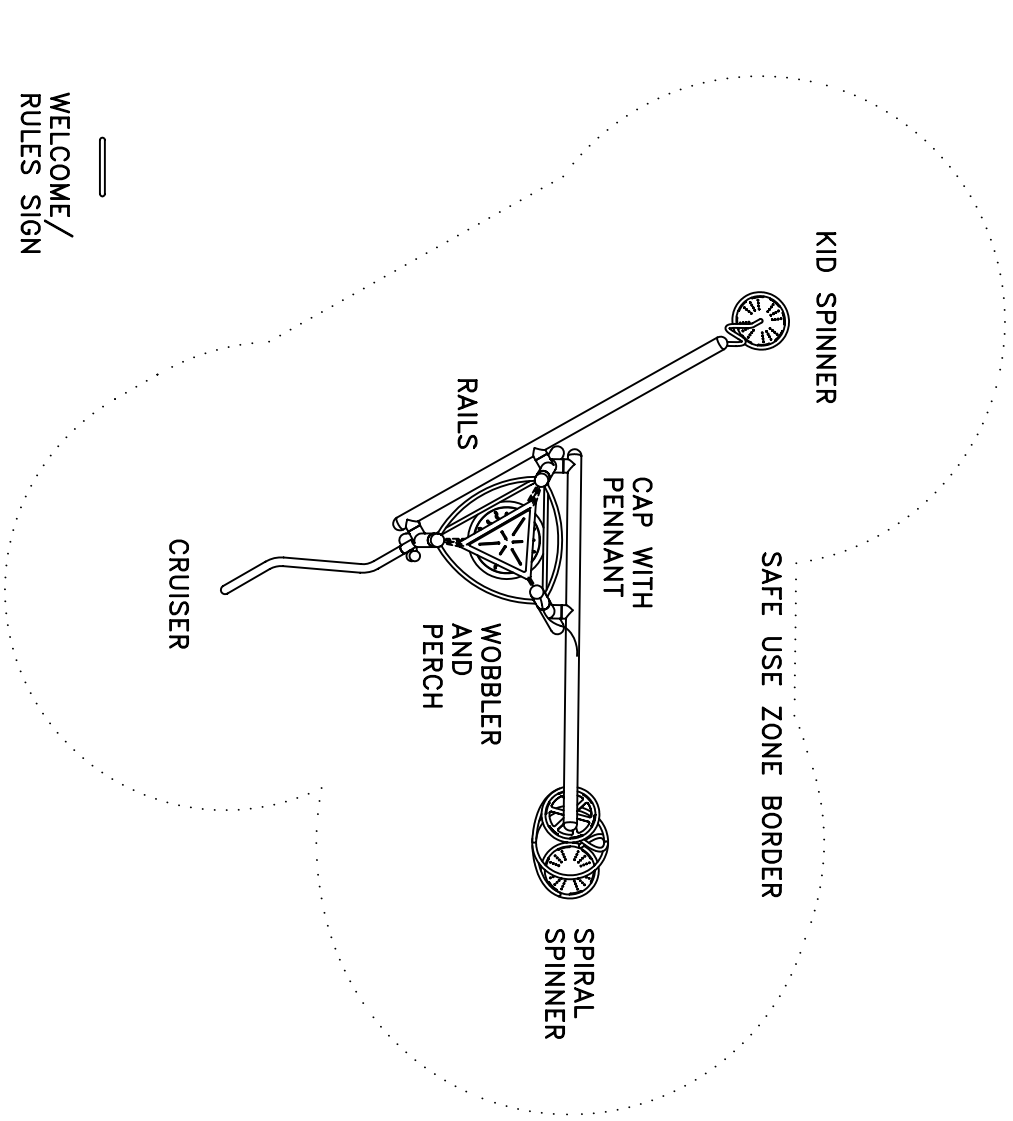


APPROPRIATE FOR CHILDREN 5 TO 12 YEARS OF AGE



PLAY AREA, EQUIPMENT ONLY:
 17' X 16' (5.2m X 4.9m)
 MINIMUM SAFE USE ZONE:
 29' X 28' (8.9m X 8.6m)

ACCESSIBILITY PROFILE:
 5 TOTAL PLAY COMPONENTS
 0 ELEVATED PLAY COMPONENTS
 (0 ACCESSIBLE)
 5 GROUND LEVEL PLAY COMPONENTS
 (5 ACCESSIBLE)



This drawing reveals the copyrighted intellectual property of Columbia Cascade Company. Not for use by others without our express, written authorization. Authorization for use is hereby granted to architects, landscape architects and similar design professionals solely for the purpose of specifying Timberform products.

Scale 3/16"=1'-0"
 Drawn by: DS
 CK'd by: CL
 07-27-11
 07-27-11



COLUMBIA CASCADE COMPANY
 Makers of Timberform®, Pipeline®, RePlay®, Timberform®-2, InterPlay®, Cycloops® and Cyclocker® Products.

1300 S.W. Sixth Avenue, Suite 310
 Portland, Oregon 97201-3464
 Telephone 503/223-1157
 Facsimile 503/223-4530
 U.S.A.

WWW.TIMBERFORM.COM

Title:
**INTERPLAY
 MODEL NO. 7823
 AREA DRAWING**

Drawing No.
W-7823

Sheet
1 of 1