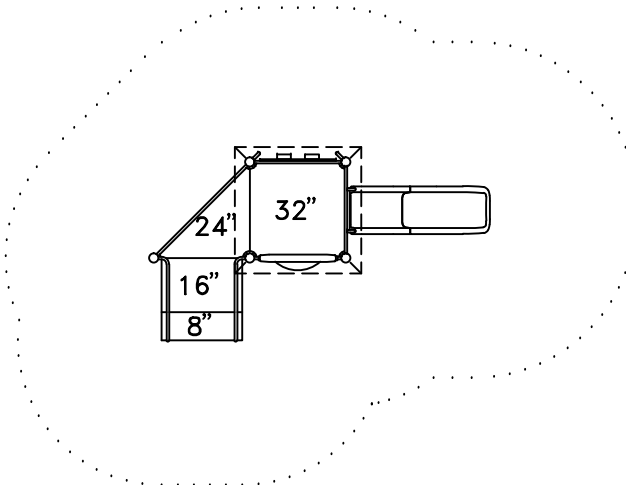


APPROPRIATE FOR CHILDREN 2 TO 5 YEARS OF AGE

9808 FEATURES:

- ACCESSIBLE TRANSFER STATION
- BLOCK CLIMBER
- CONVEX/FLAT MIRROR PANEL
- PERFORATED STEEL ROOF
- SLIDE CHUTE, STRAIGHT

SAFE USE ZONE BORDER

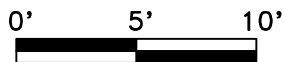


—
WELCOME/
RULES SIGN

ACCESSIBILITY PROFILE:

- 4 TOTAL PLAY COMPONENTS
- 3 ELEVATED PLAY COMPONENTS
(3 ACCESSIBLE)
- 1 GROUND LEVEL PLAY COMPONENTS
(1 ACCESSIBLE)

PLAY AREA, EQUIPMENT ONLY:
15' x 8' (4.6m x 2.4m)
MINIMUM SAFE USE ZONE:
27' x 20' (8.3m x 6.1m)



This drawing reveals the copyrighted intellectual property of Columbia Cascade Company. Not for use by others without our express, written authorization.

Authorization for use is hereby granted to architects, landscape architects and similar design professionals solely for the purpose of specifying TimberForm products.

△ 07-02-15 UPDATE SLIDE & ROOF AT/Ian

Scale 1/8" = 1'-0"	Drawn by: AT 08-08-11
	Ck'd by: CL 08-08-11



COLUMBIA CASCADE COMPANY

Makers of TimberForm®, PipeLine®,
RePlay®, TimberForm®-2, InterPlay®,
CycLoops® and CycLocker® Products.

1300 S.W. Sixth Avenue, Suite 310 Telephone 503/223-1157
Portland, Oregon 97201-3464 Facsimile 503/223-4530
U.S.A.

WWW.TIMBERFORM.COM

Title:
PIPELINE
MODEL NO. 9808
AREA DRAWING

Drawing No.
W-9808

Sheet
1 of 1