

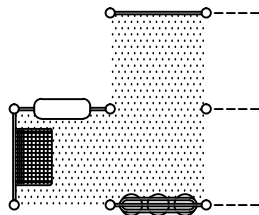
APPROPRIATE FOR CHILDREN 5 TO 12 YEARS OF AGE

9891 FEATURES:

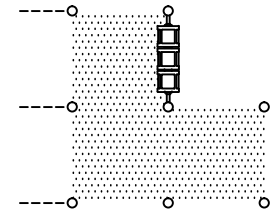
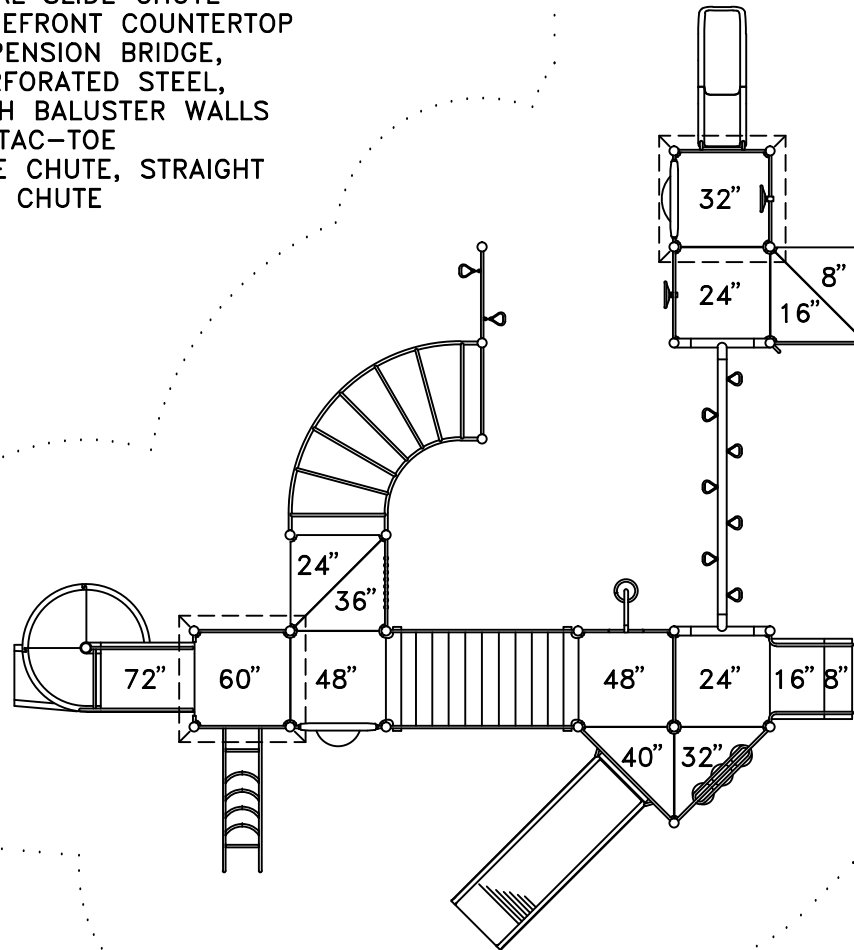
- ACCESSIBLE ENTRANCE DECK
- ACCESSIBLE RING PULL
- ACCESSIBLE TRANSFER STATION
- ADDITION PANEL
- BALUSTER WALL (2)
- BALUSTER WALL WITH SHIP'S WHEEL (2)
- BUBBLE PANEL
- CHIME WALL
- COIL CLIMBER
- CONVEX/FLAT MIRROR PANEL
- CURVED OVERHEAD LADDER
- KID'S BENCH ON BALUSTER WALL
- LOOP CLIMBER
- PERFORATED STEEL ROOF (2)
- RING BEAM, 12' (366cm)
- SPELLING PANEL

9891 FEATURES (CONTINUED):

- SPIRAL SLIDE CHUTE
- STOREFRONT COUNTERTOP
- SUSPENSION BRIDGE, PERFORATED STEEL, WITH BALUSTER WALLS
- TIC-TAC-TOE
- SLIDE CHUTE, STRAIGHT
- WIDE CHUTE



PLAY FEATURES BENEATH DECKS



PLAY FEATURES BENEATH DECKS

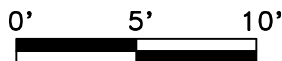
WELCOME/RULES SIGN

ACCESSIBILITY PROFILE:

- 19 TOTAL PLAY COMPONENTS
- 12 ELEVATED PLAY COMPONENTS (8 ACCESSIBLE)
- 7 GROUND LEVEL PLAY COMPONENTS (7 ACCESSIBLE)

SAFE USE ZONE BORDER

PLAY AREA, EQUIPMENT ONLY:
36' x 40' (11.0m x 12.2m)
MINIMUM SAFE USE ZONE:
48' x 52' (14.7m x 15.8m)



This drawing reveals the copyrighted intellectual property of Columbia Cascade Company. Not for use by others without our express, written authorization.

Authorization for use is hereby granted to architects, landscape architects and similar design professionals solely for the purpose of specifying TimberForm products.

| | | |
|------------|--------------|----------|
| △ 07-02-15 | UPDATE SLIDE | AT/lan |
| Scale | 1/8" = 1'-0" | |
| Drawn by: | AT | 08-08-11 |
| Ck'd by: | CL | 08-08-11 |



COLUMBIA CASCADE COMPANY

Makers of TimberForm®, PipeLine®, RePlay®, TimberForm®-2, InterPlay®, CycLoops® and CycLocker® Products.

1300 S.W. Sixth Avenue, Suite 310 Telephone 503/223-1157
Portland, Oregon 97201-3464 Facsimile 503/223-4530
U.S.A.

WWW.TIMBERFORM.COM

Title:
PIPELINE
MODEL NO. 9891
AREA DRAWING

Drawing No.
W-9891

Sheet
1 of 1