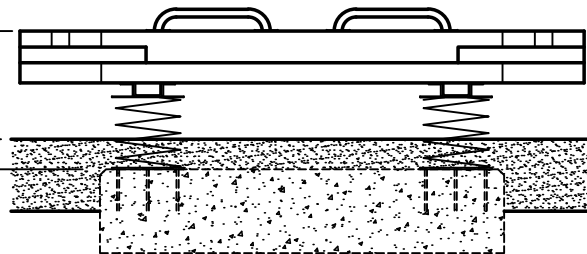


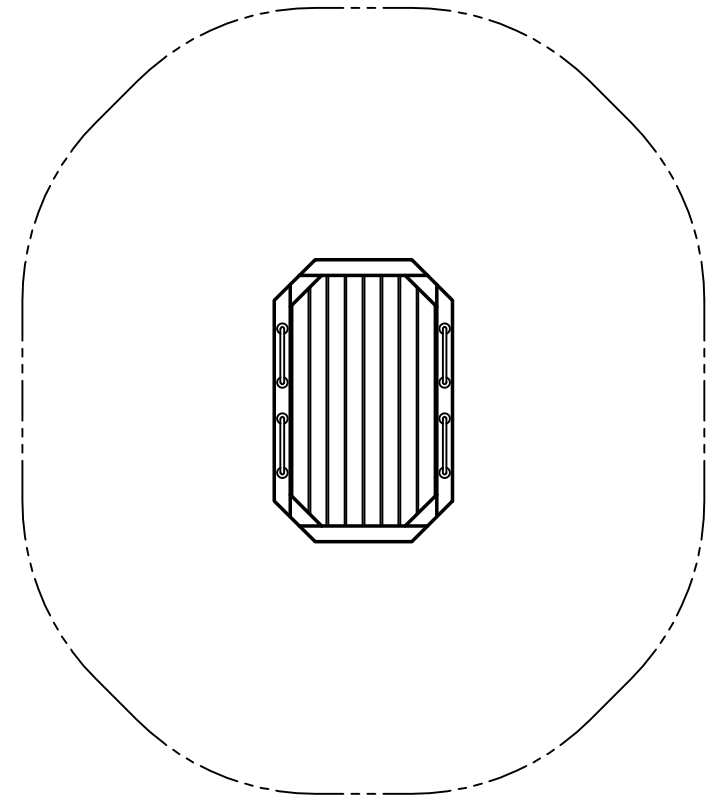
TOP VIEW
SCALE: 3/8"=1'-0"

1'-6" (457 mm)
TOP OF BEAM
0'-0" (0 mm)
FINISHED GRADE
-(0'-5") TOP OF
-(127 mm) FOOTING



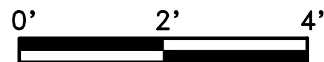
FRONT VIEW
SCALE: 3/8"=1'-0"

NOTE:
CONCRETE FOOTING (BY OTHERS)
PER LOCAL SOIL CONDITIONS.
CONSULT PROJECT ENGINEER FOR
EXACT SIZE AND REQUIREMENTS.



PLAN VIEW WITH USE ZONE
SCALE: 3/16"=1'-0"

EQUIPMENT ONLY:
5' x 8' (1.6m x 2.5m)
MINIMUM SAFE USE ZONE:
19' x 22' (5.8m x 6.8m)



This drawing reveals the copyrighted intellectual property of Columbia Cascade Company. Not for use by others without our express, written authorization.

Authorization for use is hereby granted to architects, landscape architects and similar design professionals solely for the purpose of specifying TimberForm products.



Scale	Drawn by: AT	07-26-12
NOTED	Ch'd by: CL	07-26-12



COLUMBIA CASCADE COMPANY

Makers of TimberForm®, PipeLine®
RePlay®, TimberForm®-2, InterPlay®
CycLoops® and CycLocker® Products.

1300 S.W. Sixth Avenue, Suite 310 Telephone 503/223-1157
Portland, Oregon 97201-3464 Facsimile 503/223-4530
U.S.A.

WWW.TIMBERFORM.COM

Title:
SEPARATES
MODEL NO. 1601
WHITE WATER RAFT

Drawing No.
W-1601

Sheet
1 of 1