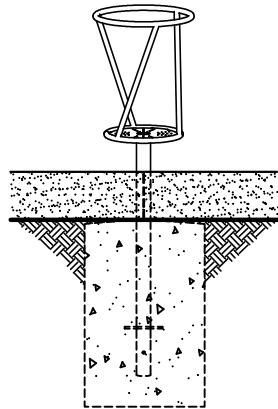
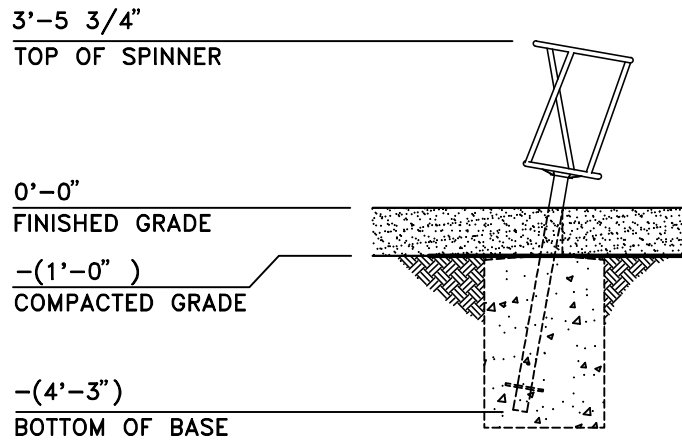


TOP VIEW

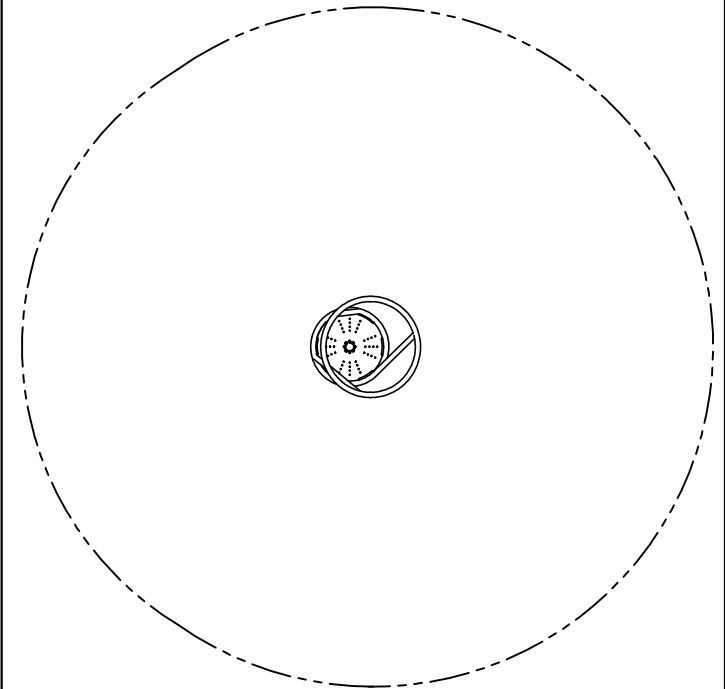


FRONT VIEW



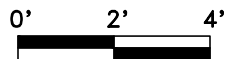
SIDE VIEW

NOTE:
 CONCRETE FOOTING AND NO. 4 REBAR (BY OTHERS) PER LOCAL SOIL CONDITIONS. CONSULT PROJECT ENGINEER FOR EXACT REQUIREMENTS.



PLAN VIEW WITH USE ZONE

EQUIPMENT ONLY:
 2'-2" x 2'-5" (660mm x 740mm)
MINIMUM SAFE USE ZONE:
 14'-2" x 14'-5" (4320mm x 4390mm)



This drawing reveals the copyrighted intellectual property of Columbia Cascade Company. Not for use by others without our express, written authorization.

Authorization for use is hereby granted to architects, landscape architects and similar design professionals solely for the purpose of specifying TimberForm products.



Scale	Drawn by: AC	08-26-22
1/4" = 1'-0"	Ck'd by: JH	08-26-22



COLUMBIA CASCADE COMPANY

Makers of TimberForm®, PipeLine®, RePlay®, TimberForm®-2 and CycLoops® Products.

www.TimberForm.com

Phone: 503/223-1157 Email: HQ@TimberForm.com

This drawing reveals the copyrighted intellectual property of Columbia Cascade Company. Not for use by others without our express, written authorization.

Title:

SEPARATES
 MODEL NO. 1630-3-10-PL
 SPIRAL SPINNER

Drawing No.
 W-1630-3-10-PL

Sheet
 1 of 1