

TOP VIEW

12'-6" (3810 mm)
TOP OF POST

9'-0" (2743 mm)
FINISHED GRADE

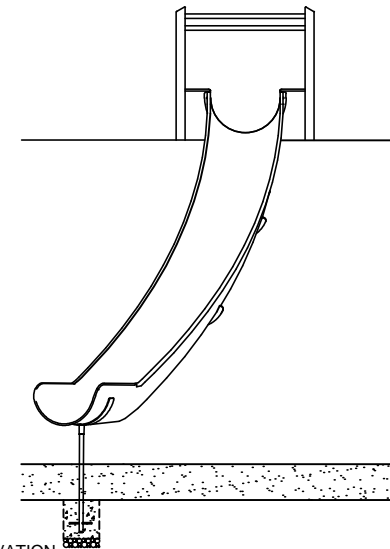
0'-0"
REFERENCE ELEVATION

30 DEGREES
(58% SLOPE)

0'-11" (279 mm)
TOP OF EXIT

0'-0"
FINISHED GRADE

COMPACTED GRADE



FRONT ELEVATION

SIDE ELEVATION

NOTE:
CONCRETE FOOTING AND NO. 4
REBAR (BY OTHERS) PER LOCAL
SOIL CONDITIONS. CONSULT
PROJECT ENGINEER FOR EXACT
REQUIREMENTS.

This drawing reveals the copyrighted intellectual property
of Columbia Cascade Company. Not for use by others
without our express, written authorization.

Authorization for use is hereby granted to architects,
landscape architects and similar design professionals
solely for the purpose of specifying TimberForm products.



Scale	Drawn by: CL	10-06-15
3/16" = 1'-0"	Ch'd by:	



COLUMBIA CASCADE COMPANY

Makers of TimberForm® PipeLine®
RePlay®, TimberForm -2®, InterPlay®
CycLoops® and CycLocker® Products.

1300 S.W. Sixth Avenue, Suite 310 Telephone 503/223-1157
Portland, Oregon 97201-3464 Facsimile 503/223-4530
U.S.A.

WWW.TIMBERFORM.COM

Title:
TIMBERFORM
MODEL NO. 1636-93-01-EMB
CURVED EMBANKMENT SLIDE CHUTE

Drawing No.
W-1636-93-01-EMB

Sheet
1 of 1