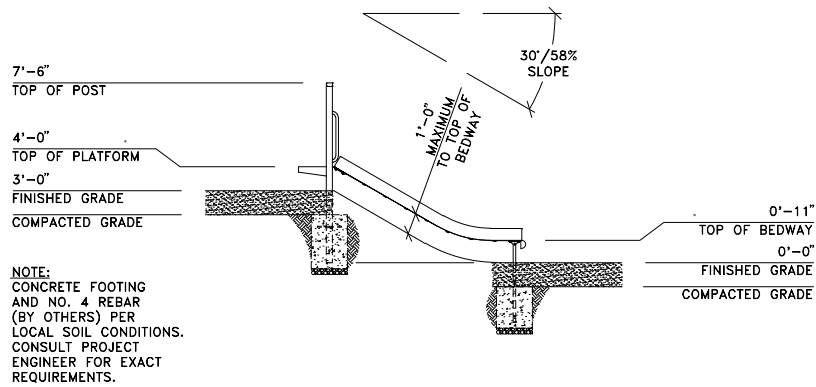


PLAN VIEW



SIDE ELEVATION

This drawing reveals the copyrighted intellectual property of Columbia Cascade Company. Not for use by others without our express, written authorization.

Authorization for use is hereby granted to architects, landscape architects and similar design professionals solely for the purpose of specifying TimberForm products.

**COLUMBIA CASCADE COMPANY**  
Makers of TimberForm®, PipeLine®, RePlay®, TimberForm®-2, InterPlay®, CycLoops® and CycLocker® Products.

Title:  
**TIMBERFORM**  
MODEL NO. 1640-41-EMB  
EMBANKMENT SLIDE CHUTE  
(STAINLESS STEEL BEDWAY, 6" RAILS)

△ 01-19-18 USE ZONE ES/CL

1300 S.W. Sixth Avenue, Suite 310 Telephone 503/223-1157  
Portland, Oregon 97201-3464 Facsimile 503/223-4530  
U.S.A.

Scale 1/4" = 1'-0" Drawn by: Ian 01-21-13 Ck'd by:

WWW.TIMBERFORM.COM

Drawing No. W-1640-41-EMB Sheet 1 of 1