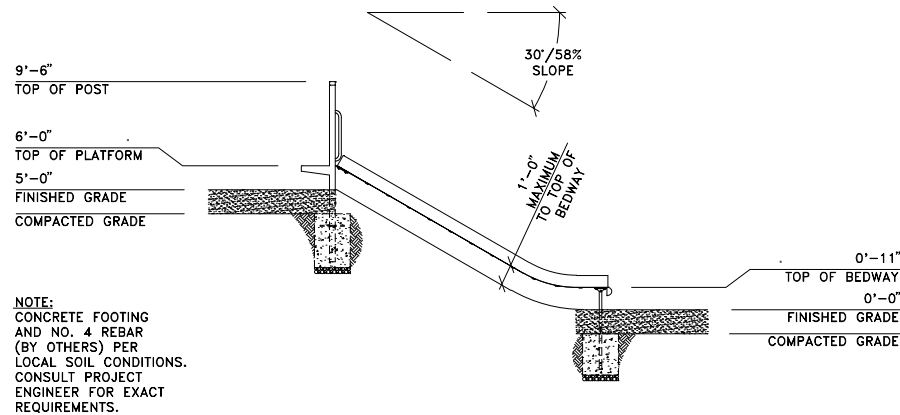


PLAN VIEW



SIDE ELEVATION

This drawing reveals the copyrighted intellectual property of Columbia Cascade Company. Not for use by others without our express, written authorization.

Authorization for use is hereby granted to architects, landscape architects and similar design professionals solely for the purpose of specifying TimberForm products.

△ 01-19-18 USE ZONE ES/CL

Scale 1/4" = 1'-0" Drawn by: Ian 01-21-13 Ck'd by:

COLUMBIA CASCADE COMPANY
 Makers of TimberForm®, PipeLine®
 RePlay®, TimberForm®-2, InterPlay®
 CycLoops® and CycLocker® Products.

1300 S.W. Sixth Avenue, Suite 310 Telephone 503/223-1157
 Portland, Oregon 97201-3464 Facsimile 503/223-4530
 U.S.A.

WWW.TIMBERFORM.COM

Title:
TIMBERFORM
 MODEL NO. 1640-61-EMB
 EMBANKMENT SLIDE CHUTE
 (STAINLESS STEEL BEDWAY, 6" RAILS)

Drawing No. W-1640-61-EMB Sheet 1 of 1