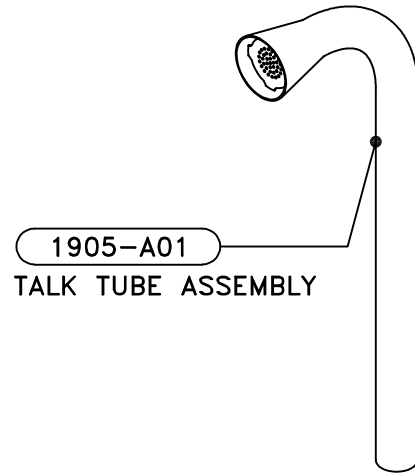
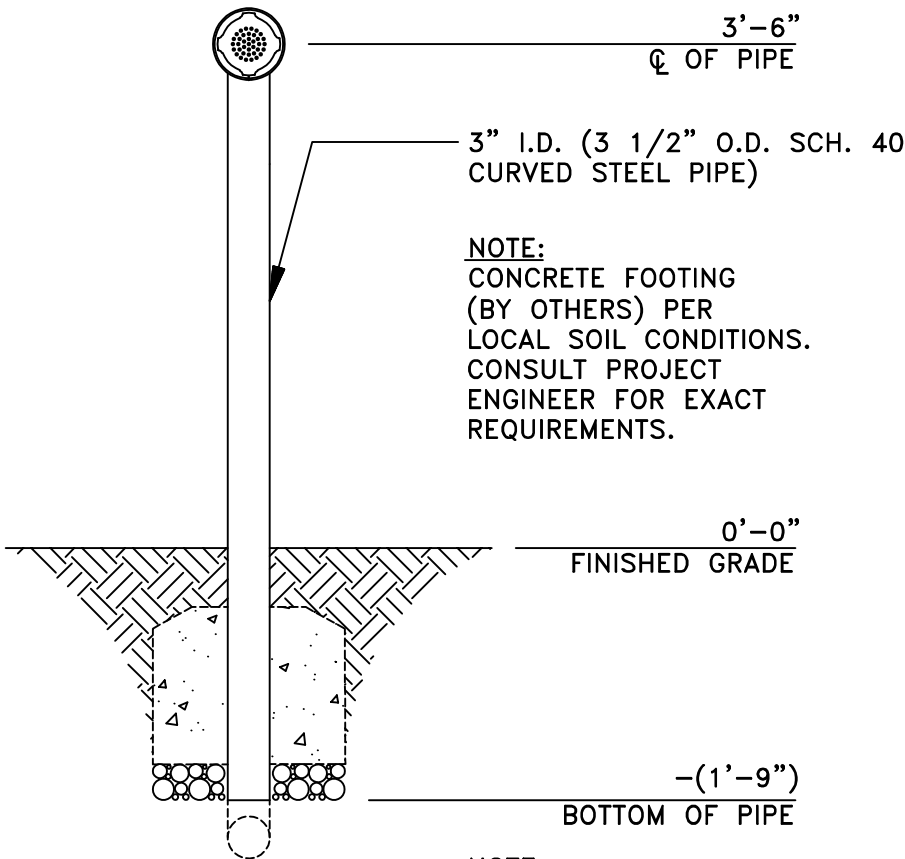


PLAN VIEW



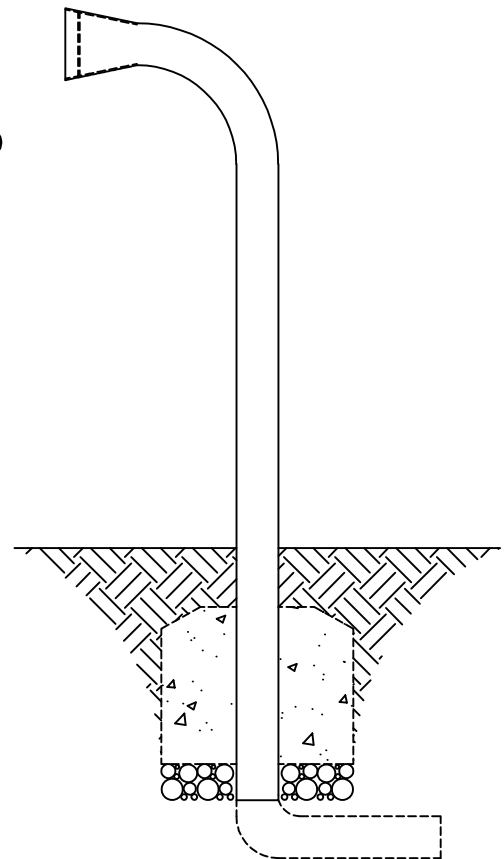
ISOMETRIC VIEW
SCALE: NONE



FRONT ELEVATION

NOTE:
CONCRETE FOOTING
(BY OTHERS) PER
LOCAL SOIL CONDITIONS.
CONSULT PROJECT
ENGINEER FOR EXACT
REQUIREMENTS.

NOTE:
BELOW GRADE CONNECTION
TO SECOND TALK TUBE
ASSEMBLY BY OTHERS (N.I.C.)



SIDE ELEVATION

NOTE: SEE IMPORTANT MAINTENANCE INSTRUCTIONS ON DRAWING NO. E-2000-L03.

Date	Revision	By
△		
△		
△		
△		
Scale 3/4"=1'-0"	Drawn by: BH Ck'd by: SK	03-28-19 03-28-19

COLUMBIA CASCADE COMPANY
Makers of TimberForm®, PipeLine®, RePlay®
TimberForm®-2 and CycLoops® Products.

1300 S.W. Sixth Avenue, Suite 310 Telephone 503/223-1157
Portland, Oregon 97201-3464 Facsimile 503/223-4530
U.S.A.

This drawing reveals the copyrighted intellectual property of Columbia Cascade Company. Not for use by others without our express, written authorization.

Title:
TIMBERFORM
MODEL NO. 1905
TALK TUBE

Drawing No.
W-1905

Sheet
1 of 1