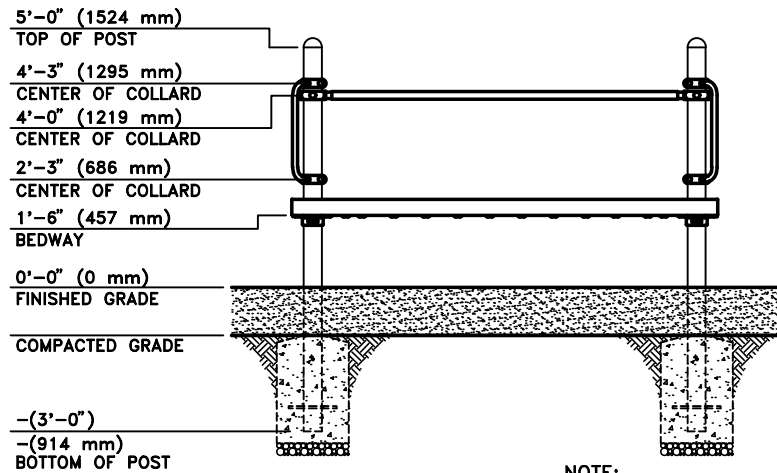
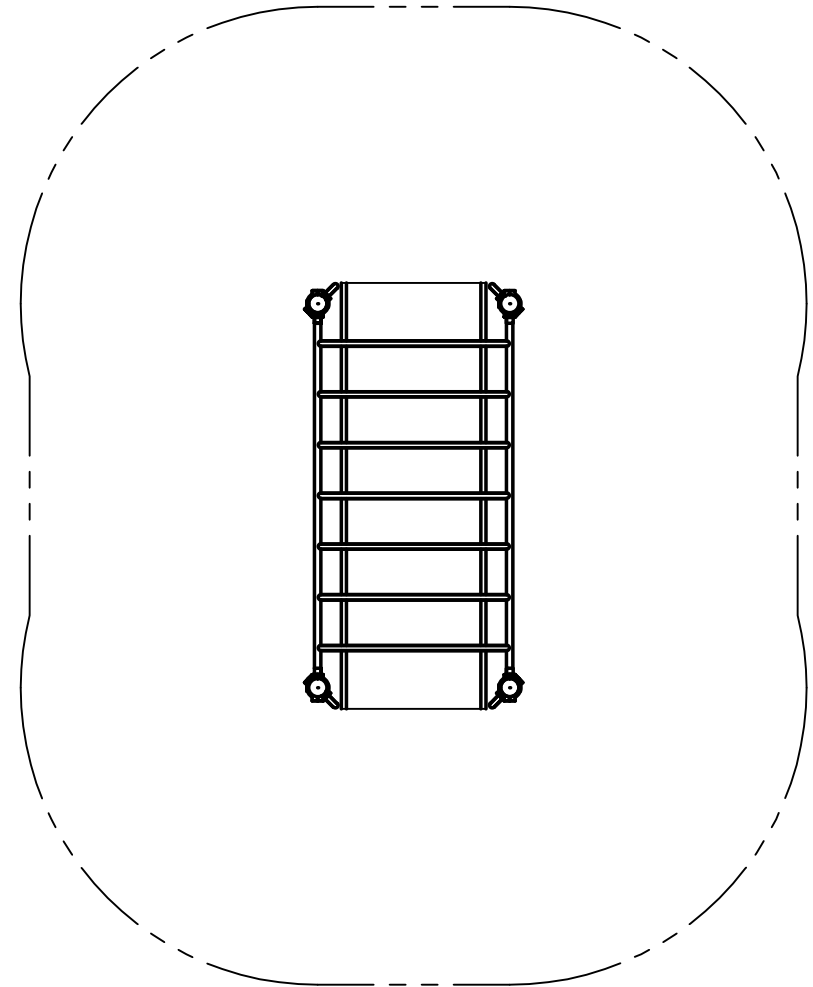


**TOP VIEW**  
SCALE: 1/4"=1'-0"



**FRONT VIEW**  
SCALE: 1/4"=1'-0"

**NOTE:**  
CONCRETE FOOTING AND NO. 4 REBAR (BY OTHERS) PER LOCAL SOIL CONDITIONS. CONSULT PROJECT ENGINEER FOR EXACT REQUIREMENTS.



**PLAN VIEW WITH USE ZONE**  
SCALE: 1/4"=1'-0"

**EQUIPMENT ONLY:**  
5' x 9' (1.6m x 2.7m)  
**MINIMUM SAFE USE ZONE:**  
17' x 21' (5.2m x 6.4m)

This drawing reveals the copyrighted intellectual property of Columbia Cascade Company. Not for use by others without our express, written authorization.

Authorization for use is hereby granted to architects, landscape architects and similar design professionals solely for the purpose of specifying TimberForm products.



Scale	Drawn by: AT	02-14-18
NOTED	Ch'd by: CL	02-14-18



**COLUMBIA CASCADE COMPANY**

Makers of TimberForm®, PipeLine®, RePlay®, TimberForm®-2, InterPlay®, CycLoops® and CycLocker® Products.

1300 S.W. Sixth Avenue, Suite 310 Telephone 503/223-1157  
Portland, Oregon 97201-3464 Facsimile 503/223-4530  
U.S.A.

WWW.TIMBERFORM.COM

Title:

PIPELINE SEPARATES  
MODEL NO. 1965-8-11-PL  
ACCESSIBLE PULL SLIDE

Drawing No.  
W-1965-8-11-PL

Sheet  
1 of 1