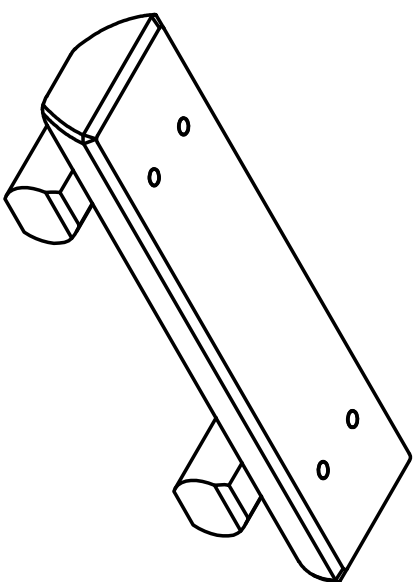
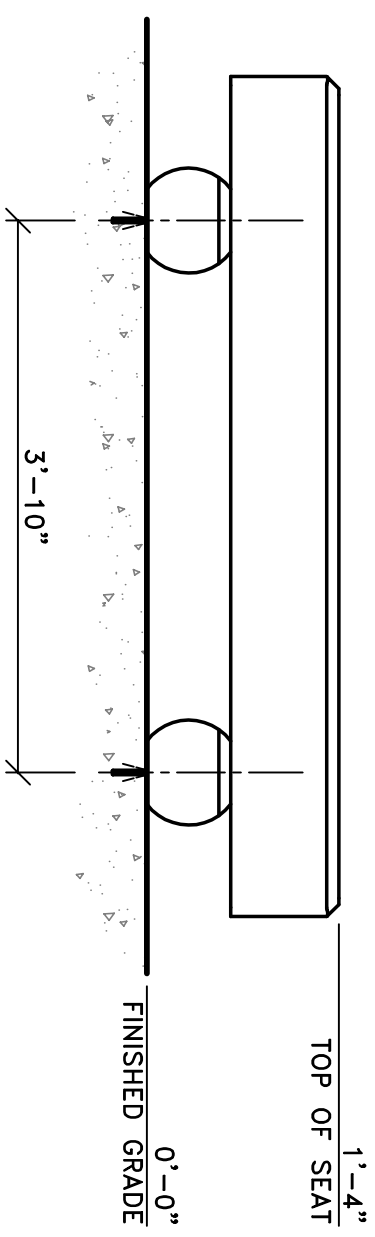


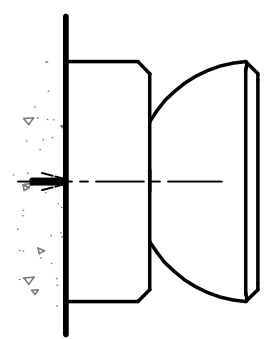
PLAN VIEW



ISOMETRIC VIEW



ELEVATION VIEW



END VIEW

This drawing reveals the copyrighted intellectual property of Columbia Cascade Company. Not for use by others without our express, written authorization. Authorization for use is hereby granted to architects, landscape architects and similar design professionals solely for the purpose of specifying TimberForm products.

Scale NOTED

Drawn by: GH 04-19-19

CK'd by: JK 04-19-19



**COLUMBIA CASCADE COMPANY**  
 Makers of TimberForm® PipeLine®  
 RePlay®, TimberForm®-2, InterPlay®  
 CycLoops® and CycLocker® Products.

1300 S.W. Sixth Avenue, Suite 310 Telephone 503/223-1157  
 Portland, Oregon 97201-3464 Facsimile 503/223-4530  
 U.S.A. WWW.TIMBERFORM.COM

Title: **TIMBERCRAFT**  
**MODEL NO. 2215-6**  
**HALF ROUND LOG SEAT**

Drawing No. **W-2215-6**

Sheet **1** of **1**