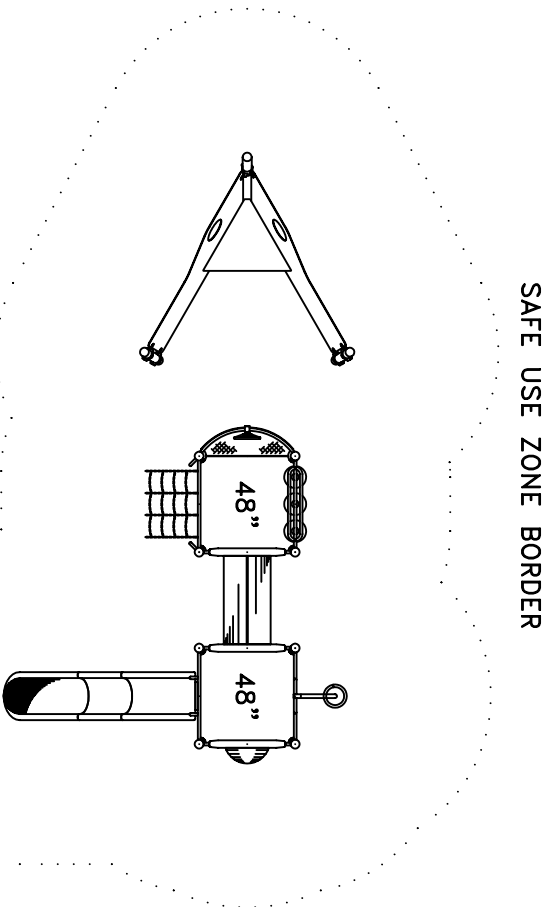


APPROPRIATE FOR CHILDREN 5 TO 12 YEARS OF AGE

**3807-08-PL FEATURES:**

- ADDITION CYLINDERS
- BUBBLE PANEL
- CHAIN CARGO NET
- COIL CLIMBER
- LOOKOUT PLATFORM,
- BALUSTER WALL WITH
- SHIP'S WHEEL
- SHIPWRECK BOW
- SLIDE CHUTE
- TUNNEL CRAWL,
- CLEAR PLASTIC

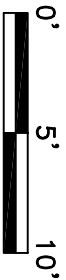


SAFE USE ZONE BORDER

—  
WELCOME/  
RULES SIGN

PLAY AREA, EQUIPMENT ONLY:  
26' x 15' (8.0m x 4.6m)  
MINIMUM SAFE USE ZONE:  
38' x 27' (11.6m x 8.3m)

- ACCESSIBILITY PROFILE:**
- 10 TOTAL PLAY COMPONENTS
  - 7 ELEVATED PLAY COMPONENTS  
(0 ACCESSIBLE)
  - 3 GROUND LEVEL PLAY COMPONENTS  
(3 ACCESSIBLE)



This drawing reveals the copyrighted intellectual property of Columbia Cascade Company. Not for use by others without our express, written authorization. Authorization for use is hereby granted to architects, landscape architects and similar design professionals solely for the purpose of specifying Timberform products.

Scale  
1/8"=1'-0"

Drawn by: AT  
CK'd by: CL

08-21-11  
09-21-11

**COLUMBIA CASCADE COMPANY**



Makers of Timberform®, Pipeline®, RePlay®, Timberform®-2, InterPlay®, Cyclolops® and Cyclocker® Products.

1300 S.W. Sixth Avenue, Suite 310 Telephone 503/223-1157  
Portland, Oregon 97201-3464 Facsimile 503/223-4530  
U.S.A.

WWW.TIMBERFORM.COM

Title:  
THEMED PLAY  
MODEL NO. 3807-08-PL  
S.S. SHIPWRECK  
AREA DRAWING

Drawing No.  
W-3807-08-PL

Sheet  
1 of 1