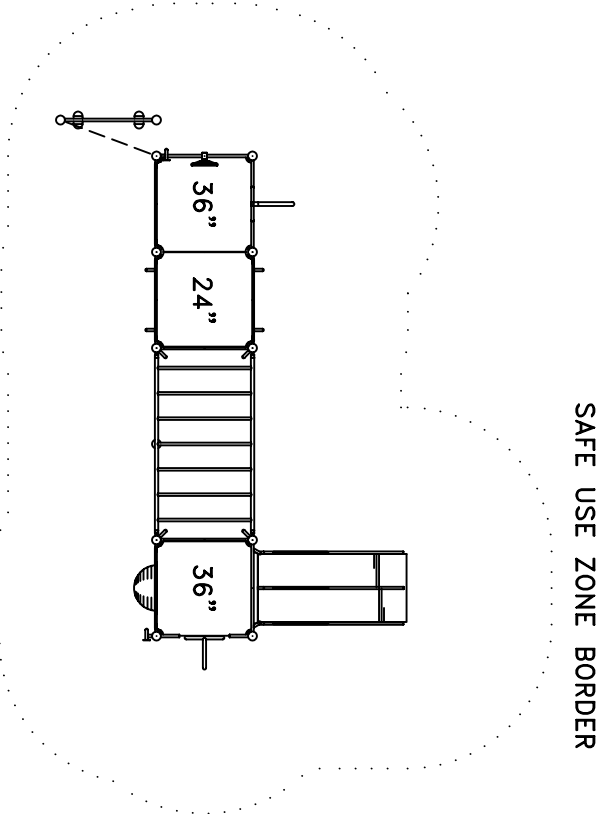


APPROPRIATE FOR CHILDREN 5 TO 12 YEARS OF AGE

- 3824-04-PL FEATURES:
- BALUSTER WALL WITH SHIP'S WHEEL
 - FIRE TRUCK DOOR PANEL
 - FIRE TRUCK GRAPHIC PANELS
 - FIRE TRUCK TALK TUBE
 - FIRE TRUCK WALL WITH HEADLIGHTS
 - FIREFIGHTER'S POLE
 - OVERHEAD LADDER
 - VERTICAL SAFETY CLIMBER
 - WIDE CHUTE WITH CENTER RAIL



SAFE USE ZONE BORDER

WELCOME / RULES SIGN

PLAY AREA, EQUIPMENT ONLY:
 22' x 12' (6.8m x 3.7m)
 MINIMUM SAFE USE ZONE:
 34' x 24' (10.4m x 7.4m)

- ACCESSIBILITY PROFILE:
- 7 TOTAL PLAY COMPONENTS
 - 7 ELEVATED PLAY COMPONENTS (0 ACCESSIBLE)
 - 0 GROUND LEVEL PLAY COMPONENTS (0 ACCESSIBLE)



This drawing reveals the copyrighted intellectual property of Columbia Cascade Company. Not for use by others without our express, written authorization. Authorization for use is hereby granted to architects, landscape architects and similar design professionals solely for the purpose of specifying Timberform products.

Scale: 1/8"=1'-0"
 Drawn by: AT
 CK'd by: CL
 09-21-11
 09-21-11

COLUMBIA CASCADE COMPANY



Makers of Timberform®, Pipeline®, RePlay®, Timberform®-2, InterPlay®, Cycloops® and Cycloster® Products.

1300 S.W. Sixth Avenue, Suite 310
 Portland, Oregon 97201-3464
 Telephone 503/223-1157
 Facsimile 503/223-4530
 U.S.A.

WWW.TIMBERFORM.COM

Title: THEMED PLAY
 MODEL NO. 3824-04-PL
 FIRE TRUCK
 AREA DRAWING

Drawing No. W-3824-04-PL

Sheet 1 of 1