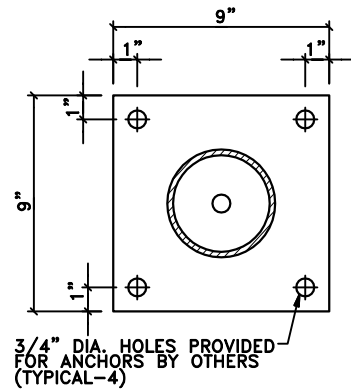
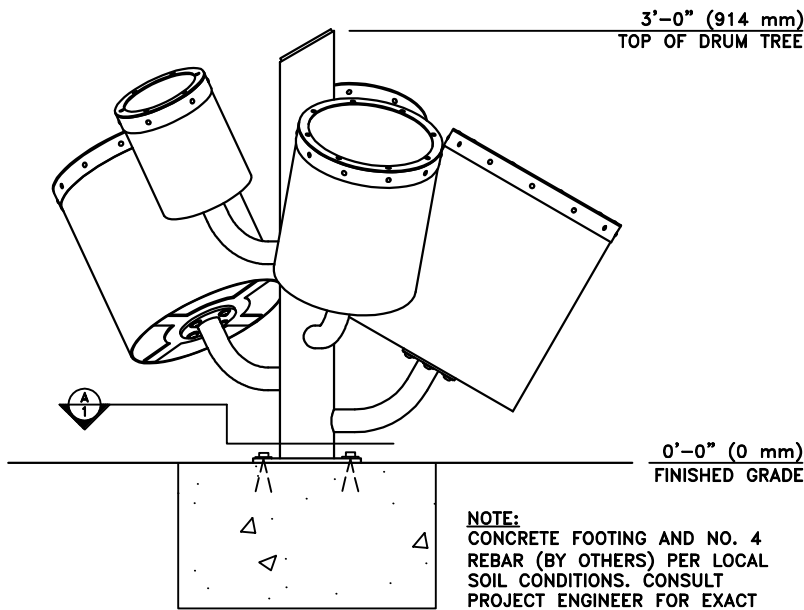


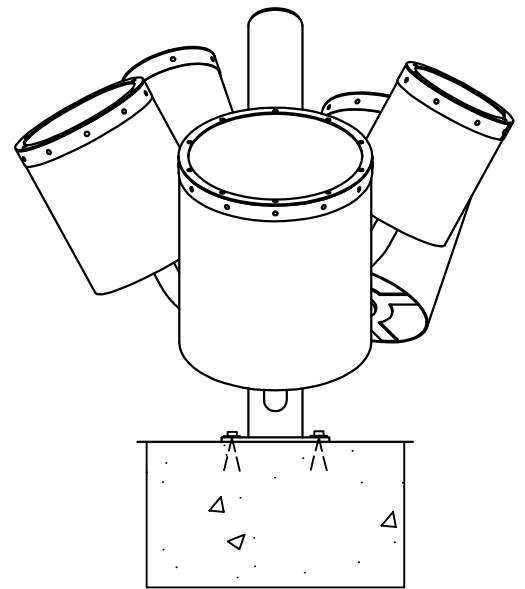
TOP VIEW  
SCALE: 3/4"=1'-0"



Ⓐ MOUNTING DETAIL  
SCALE 1 1/2"=1'-0"



FRONT VIEW  
SCALE: 3/4"=1'-0"



SIDE VIEW  
SCALE: 3/4"=1'-0"

NOTE:  
CONCRETE FOOTING AND NO. 4  
REBAR (BY OTHERS) PER LOCAL  
SOIL CONDITIONS. CONSULT  
PROJECT ENGINEER FOR EXACT  
REQUIREMENTS.

NOTE: SEE IMPORTANT MAINTENANCE INSTRUCTIONS ON DRAWING NO. E-2000-LO3.

Date	Revision	By
△		
△		
△		
△		
Scale	Drawn by: GE	12-21-18
NOTED	Ch'g by: AT	12-21-18

**COLUMBIA CASCADE COMPANY**  
 Makers of TimberForm®, Pipeline®, RePlay®,  
 TimberForm-2 and CycLoops® Products.  
 1300 S.W. Sixth Avenue, Suite 310 Telephone 503/223-1157  
 Portland, Oregon 97201-3404 Facsimile 503/223-4330  
 U.S.A.

Title:  
**TIMBERFORM  
 MODEL NO. 3841-08-P  
 DRUM TREE  
 (PEDESTAL MOUNT)**

This drawing reveals the copyrighted intellectual  
 property of Columbia Cascade Company. Not for use  
 by others without our express, written authorization.

Drawing No.  
**W-3841-08-P**

Sheet  
**1 of 1**