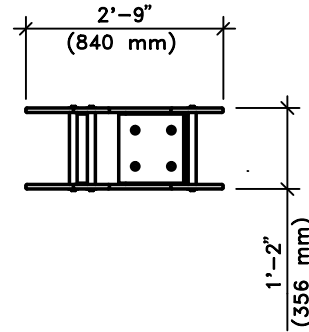
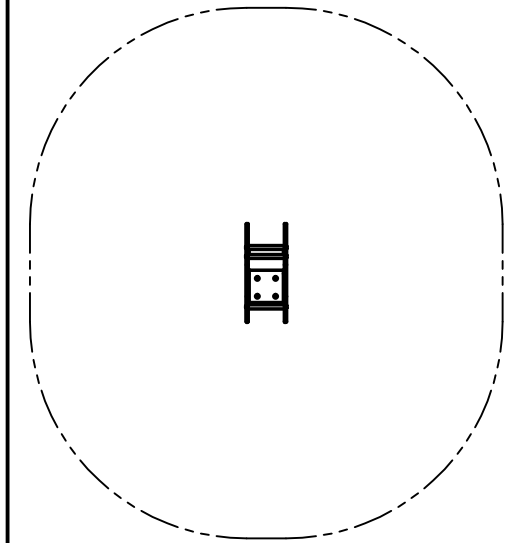


TOP VIEW
SCALE: 3/8"=1'-0"



TOP VIEW
SCALE: 3/8"=1'-0"



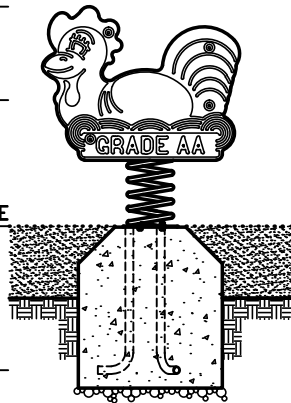
PLAN VIEW WITH USE ZONE
SCALE: 3/16"=1'-0"

3'-0 1/2"
(930 mm)

1'-9" TOP OF SEAT
(535 mm)

0'-0" FINISHED GRADE
(0 mm)

-(2'-0")
(-610 mm)



NOTE: CONCRETE FOOTING (BY OTHERS) PER LOCAL CONDITIONS. CONSULT PROJECT ENGINEER FOR EXACT SIZE AND REQUIREMENTS.

FRONT VIEW
SCALE: 3/8"=1'-0"

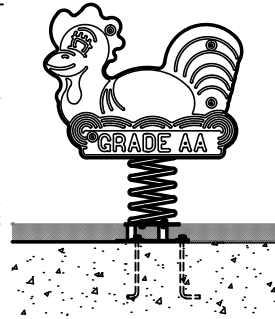
3894-01-E (EMBEDMENT)

3'-0 1/2"
(930 mm)

1'-9" TOP OF SEAT
(535 mm)

0'-0" FINISHED GRADE
(0 mm)

-(0'-3")
(-75 mm)



NOTE: CONCRETE FOOTING (BY OTHERS) PER LOCAL CONDITIONS. CONSULT PROJECT ENGINEER FOR EXACT SIZE AND REQUIREMENTS. THREE 5/8" (16 mm) DIAMETER HOLES PROVIDED IN PEDESTAL ASSEMBLY FOR ANCHORING DEVICES (BY OTHERS).

FRONT VIEW
SCALE: 3/8"=1'-0"

3894-01-P (PEDESTAL)

SINGLE SPRING RIDER, EQUIPMENT ONLY:
2' x 3' (0.7m x 1.0m)

MINIMUM SAFE USE ZONE:
14' x 15' (4.3m x 4.6m)



This drawing reveals the copyrighted intellectual property of Columbia Cascade Company. Not for use by others without our express, written authorization. Authorization for use is hereby granted to architects, landscape architects and similar design professionals solely for the purpose of specifying TimberForm products.



Scale	Drawn by: AT	07-26-12
NOTED	Ck'd by: CL	07-26-12



COLUMBIA CASCADE COMPANY

Makers of TimberForm®, PipeLine®, RePlay®, TimberForm®-2, InterPlay®, CycLoops® and CycLocker® Products.

1300 S.W. Sixth Avenue, Suite 310 Telephone 503/223-1157
Portland, Oregon 97201-3464 Facsimile 503/223-4530
U.S.A.

WWW.TIMBERFORM.COM

Title:
SEPARATES
MODEL NO. 3894-01-E/-P
"HAPPY HEN"
SPRING RIDER

Drawing No.
W-3894-01

Sheet
1 of 1