

**TOP VIEW**

SCALE: 1/4"=1'-0"

8'-9 1/2" [2590mm]

TOP OF POST

8'-3 1/2" [2438mm]

TOP OF POST

6'-6" [1828mm]

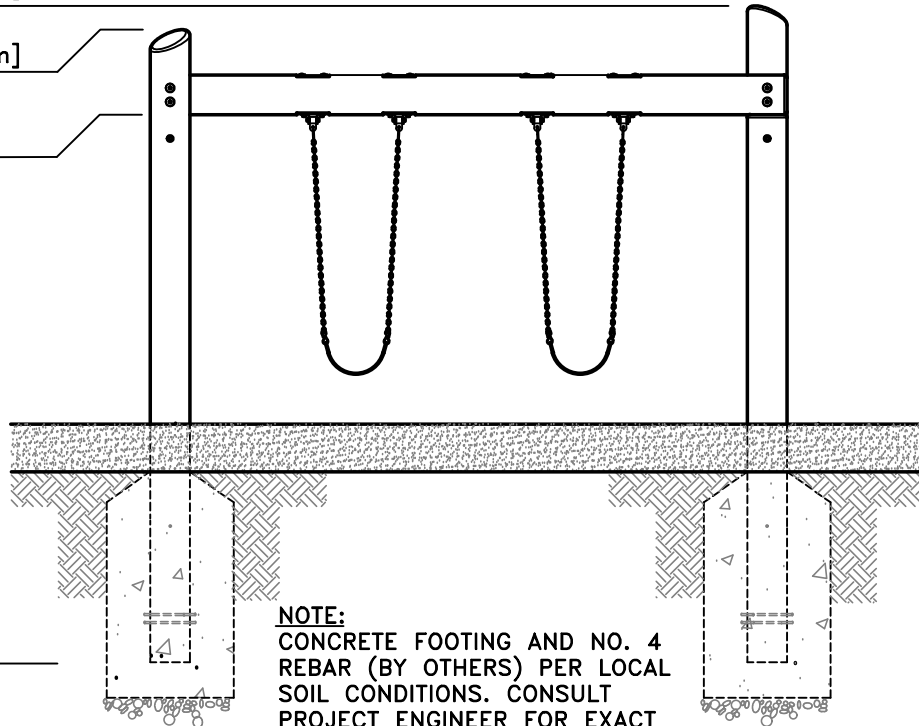
BOTTOM OF BEAM

0'-0" [0mm]

FINISHED GRADE

(-5'-0") [1524mm]

BOTTOM OF POST



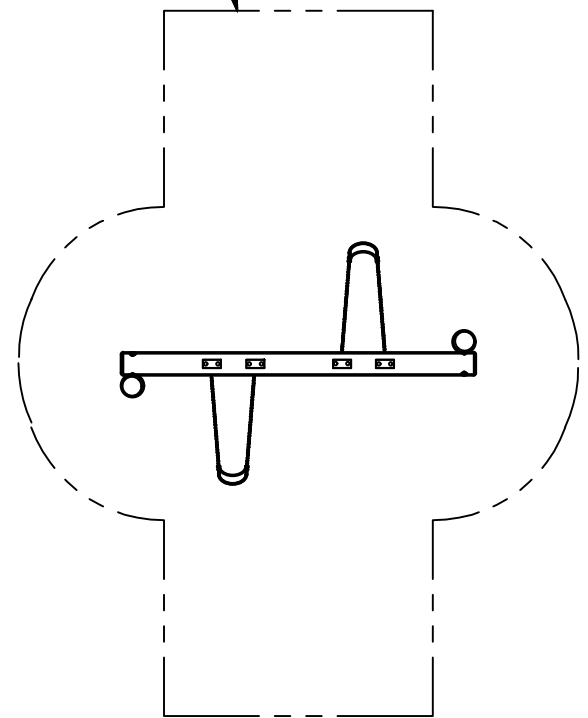
**NOTE:**

CONCRETE FOOTING AND NO. 4 REBAR (BY OTHERS) PER LOCAL SOIL CONDITIONS. CONSULT PROJECT ENGINEER FOR EXACT REQUIREMENTS.

**FRONT VIEW**

SCALE: 1/4"=1'-0"

SAFE USE ZONE



**PLAN VIEW WITH USE ZONE**

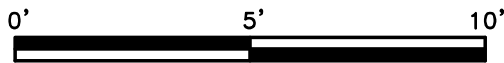
SCALE: 1/8"=1'-0"

EQUIPMENT ONLY:

2'-6" x 13'-4 1/2" (3.7m x 3.7m)

MINIMUM SAFE USE ZONE:

30' x 25'-6" (9.1m x 7.7m)



This drawing reveals the copyrighted intellectual property of Columbia Cascade Company. Not for use by others without our express, written authorization.

Authorization for use is hereby granted to architects, landscape architects and similar design professionals solely for the purpose of specifying TimberForm products.



Scale	Drawn by: IH	01-09-20
NOTED	Ck'd by: JK	01-09-20



**COLUMBIA CASCADE COMPANY**

Makers of TimberForm®, PipeLine®, RePlay®, TimberForm®-2, InterPlay®, CycLoops® and CycLocker® Products.

1300 S.W. Sixth Avenue, Suite 310 Telephone 503/223-1157  
Portland, Oregon 97201-3464 Facsimile 503/223-4530  
U.S.A.

WWW.TIMBERFORM.COM

Title:

**TIMBERCRAFT  
MODEL NO. 4500-151  
DOUBLE BELT SWING**

Drawing No.  
W-4500-151

Sheet  
1 of 1