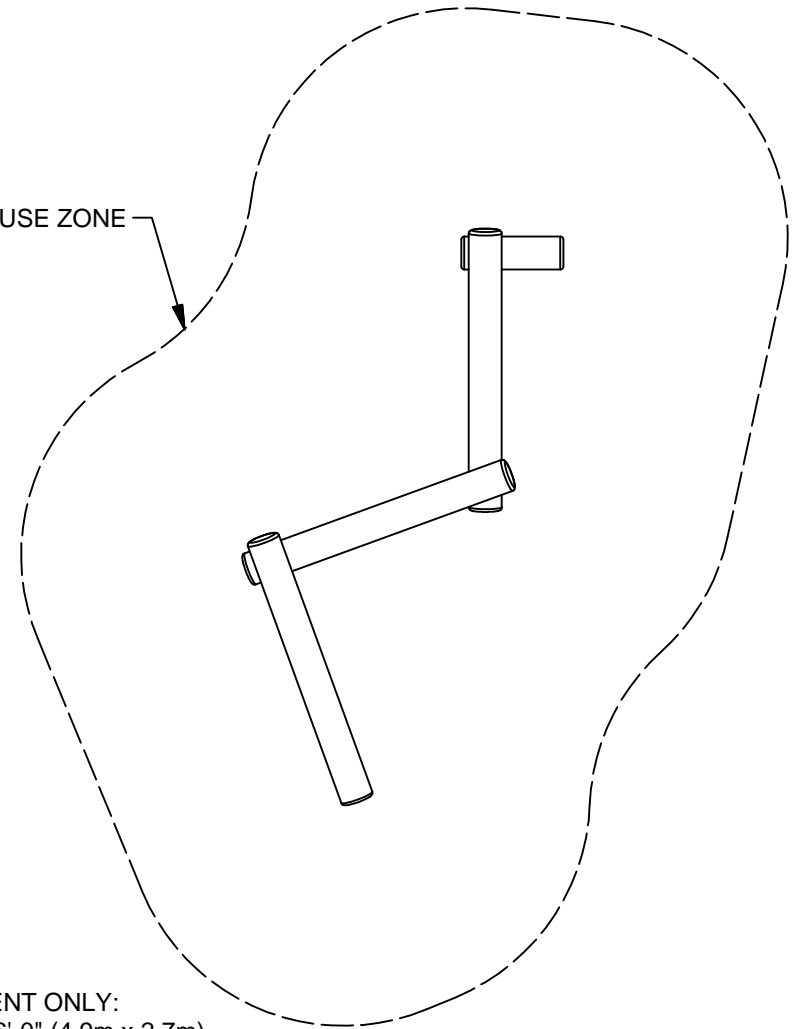


ISO VIEW
SCALE: NONE

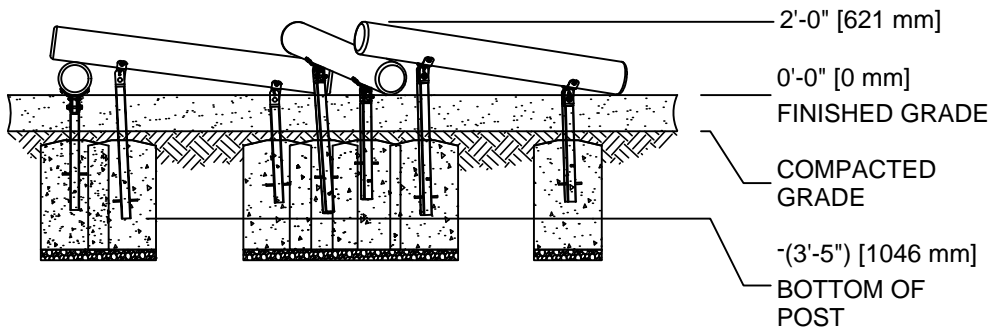
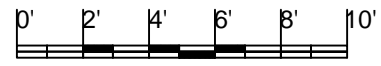
SAFE USE ZONE



EQUIPMENT ONLY:
8'-11" x 16'-0" (4.9m x 2.7m)

MINIMUM SAFE USE ZONE:
20'-11" x 28'-0" (6.5m x 8.8m)

PLAN VIEW WITH USE ZONE
SCALE 3/16"=1'-0"



FRONT VIEW
SCALE 3/16"=1'-0"

NOTE:
CONCRETE FOOTING AND NO. 4 REBAR (BY OTHERS) PER LOCAL SOIL CONDITIONS. CONSULT PROJECT ENGINEER FOR EXACT REQUIREMENTS.

Date	Revision	By
△		
△		
△		
△		
Scale	Drawn by: DGR	03-30-18
NOTED	Ck'd by: CL	03-30-18

COLUMBIA CASCADE COMPANY
Makers of TimberForm®, PipeLine®, RePlay®

1300 S.W. Sixth Avenue, Suite 310
Portland, Oregon 97201-3464
U.S.A.

Telephone 503/223-1157
Facsimile 503/223-4530

This drawing reveals the copyrighted intellectual property of Columbia Cascade Company. Not for use by others without our express, written authorization.

WWW.TIMBERFORM.COM

Title:
**CLASSIC TIMBERFORM
MODEL NO. 4500-305
LOG SCRAMBLE**

Drawing No. **W-4500-305**

Sheet **1 of 1**