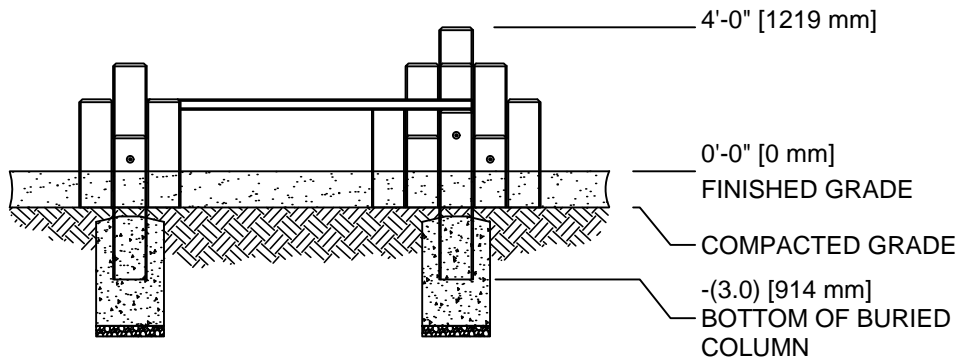
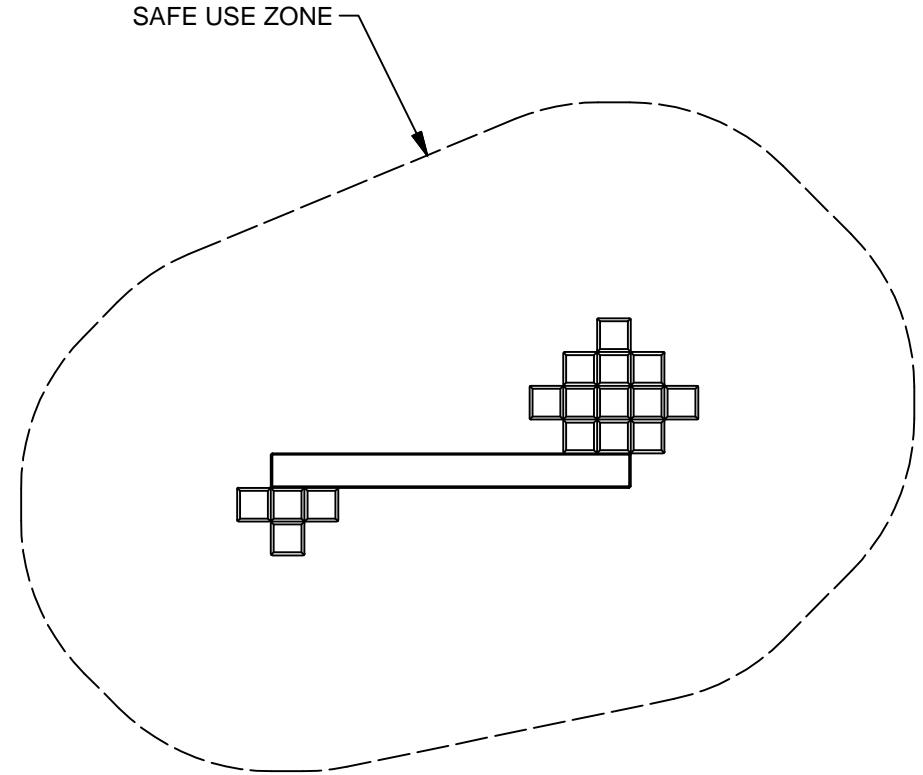


ISOMETRIC VIEW  
SCALE: NONE



FRONT VIEW  
SCALE 3/16"=1'-0"



EQUIPMENT ONLY:  
12'-10" x 6'-7" (3.9m x 2.0m)

MINIMUM SAFE USE ZONE:  
24'-10" x 18'-7" (7.5m x 5.6m)

PLAN VIEW WITH USE ZONE  
SCALE 3/16"=1'-0"



NOTE:  
CONCRETE FOOTING AND NO. 4  
REBAR (BY OTHERS) PER LOCAL  
SOIL CONDITIONS. CONSULT  
PROJECT ENGINEER FOR EXACT  
REQUIREMENTS.

Date	Revision	By
△		
△		
△		
△		
Scale	Drawn by: DGR	05-14-18
NOTED	Ck'd by: CL	05-14-18



**COLUMBIA CASCADE COMPANY**  
Makers of TimberForm®, PipeLine®, RePlay®

1300 S.W. Sixth Avenue, Suite 310  
Portland, Oregon 97201-3464  
U.S.A.

Telephone 503/223-1157  
Facsimile 503/223-4530

This drawing reveals the copyrighted intellectual property of Columbia Cascade Company. Not for use by others without our express, written authorization.

WWW.TIMBERFORM.COM

Title:  
CLASSIC TIMBERFORM  
MODEL NO. 4500-502  
STEPPING COLUMNS

Drawing No.  
W-4500-502

Sheet  
1 of 1