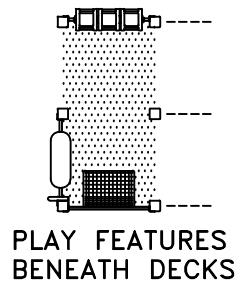


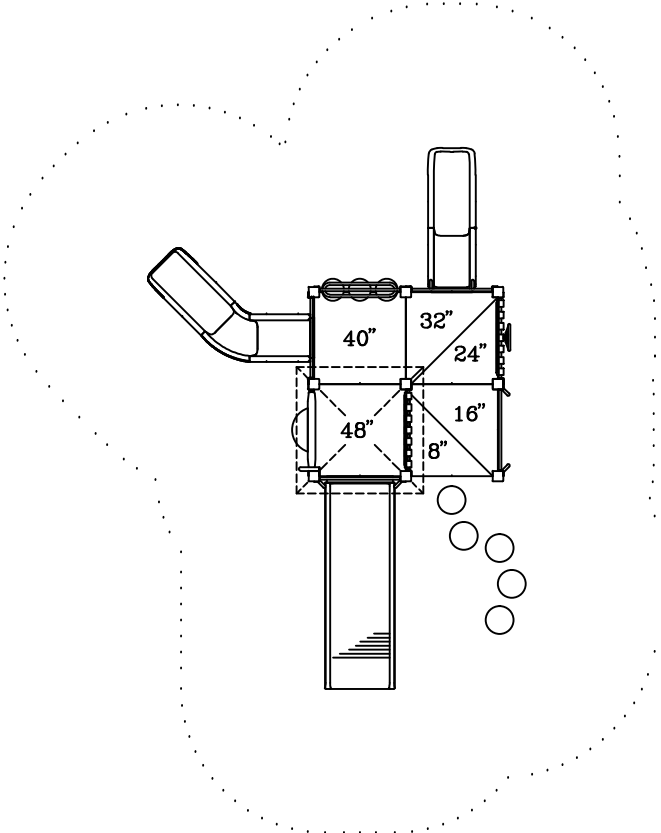
APPROPRIATE FOR CHILDREN 2 TO 5 YEARS OF AGE

4803-TF FEATURES:

- ACCESSIBLE ENTRANCE DECK
- ADDITION PANEL
- BUBBLE PANEL
- KID'S BENCH ON BALUSTER WALL
- SLIDE CHUTE, CURVED
- SLIDE CHUTE, STRAIGHT
- SPELLING PANEL
- STEPPING PAD (5)
- STOREFRONT COUNTERTOP
- TALK TUBE
- WIDE CHUTE
- WOOD ROOF
- WOOD WALL
- WOOD WALL WITH SHIP'S WHEEL



SAFE USE ZONE BORDER



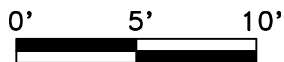
ACCESSIBILITY PROFILE:

- 11 TOTAL PLAY COMPONENTS
- 7 ELEVATED PLAY COMPONENTS  
(7 ACCESSIBLE)
- 4 GROUND LEVEL PLAY COMPONENTS  
(4 ACCESSIBLE)

WELCOME/  
RULES SIGN

PLAY AREA, EQUIPMENT ONLY:  
16' x 23' (4.9m x 7.0m)

MINIMUM SAFE USE ZONE:  
28' x 35' (8.5m x 10.7m)



This drawing reveals the copyrighted intellectual property of Columbia Cascade Company. Not for use by others without our express, written authorization.

Authorization for use is hereby granted to architects, landscape architects and similar design professionals solely for the purpose of specifying TimberForm products.

07-02-15 UPDATE SLIDE AT/lan

Scale	Drawn by: TB	08-10-11
1/8" = 1'-0"	Ck'd by: CL	08-10-11



COLUMBIA CASCADE COMPANY

Makers of TimberForm®, PipeLine®, RePlay®, TimberForm®-2, InterPlay®, CycLoops® and CycLocker® Products.

1300 S.W. Sixth Avenue, Suite 310 Telephone 503/223-1157  
Portland, Oregon 97201-3464 Facsimile 503/223-4530  
U.S.A.

WWW.TIMBERFORM.COM

Title:  
TIMBERFORM  
MODEL NO. 4803-TF  
AREA DRAWING

Drawing No.  
W-4803-TF

Sheet  
1 of 1