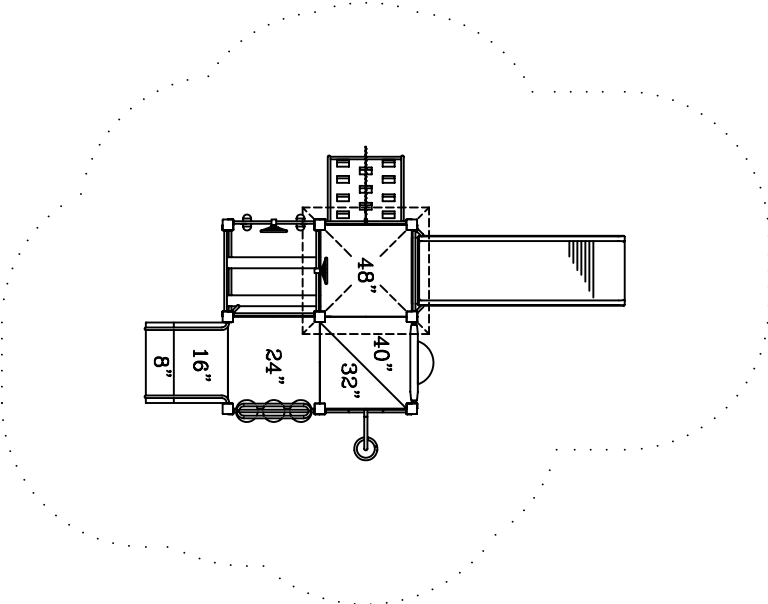


APPROPRIATE FOR CHILDREN 2 TO 5 YEARS OF AGE

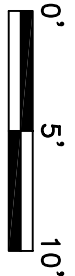
- 4812-RP FEATURES:
- ACCESSIBLE TRANSFER STATION
 - BALUSTER WALL WITH SHIP'S WHEEL
 - BUBBLE PANEL
 - CLIMBING RAMP
 - COIL CLIMBER
 - SCHOOL BUS PANEL
 - SCHOOL BUS WITH WHEEL AND RECYCLED PLASTIC SEATS
 - SPELLING PANEL, BALUSTER WALL
 - WIDE CHUTE
 - RECYCLED PLASTIC ROOF

SAFE USE ZONE BORDER



- ACCESSIBILITY PROFILE:
- 8 TOTAL PLAY COMPONENTS
 - 6 ELEVATED PLAY COMPONENTS (6 ACCESSIBLE)
 - 2 GROUND LEVEL PLAY COMPONENTS (2 ACCESSIBLE)

- PLAY AREA, EQUIPMENT ONLY:
14' x 21' (4.3m x 6.5m)
- MINIMUM SAFE USE ZONE:
26' x 33' (8.0m x 10.1m)



This drawing reveals the copyrighted intellectual property of Columbia Cascade Company. Not for use by others without our express, written authorization.

solely for the purpose of specifying Timberform products,

Scale 1/8"=1'-0"
 Drawn by: TB
 CK'd by: CL
 08-10-11
 08-10-11



COLUMBIA CASCADE COMPANY

Makers of Timberform®, Pipeline®, Replay®, Timberform®-2, InterPlay®, Cycloops® and Cycloaker® Products.

1300 S.W. Sixth Avenue, Suite 310 Telephone 503/223-1157
 Portland, Oregon 97201-3464 Facsimile 503/223-4530
 U.S.A.

WWW.TIMBERFORM.COM

Title:
TIMBERFORM REPLAY
 MODEL NO. 4812-RP
 AREA DRAWING

Drawing No. **W-4812-RP**
 Sheet **1** of **1**