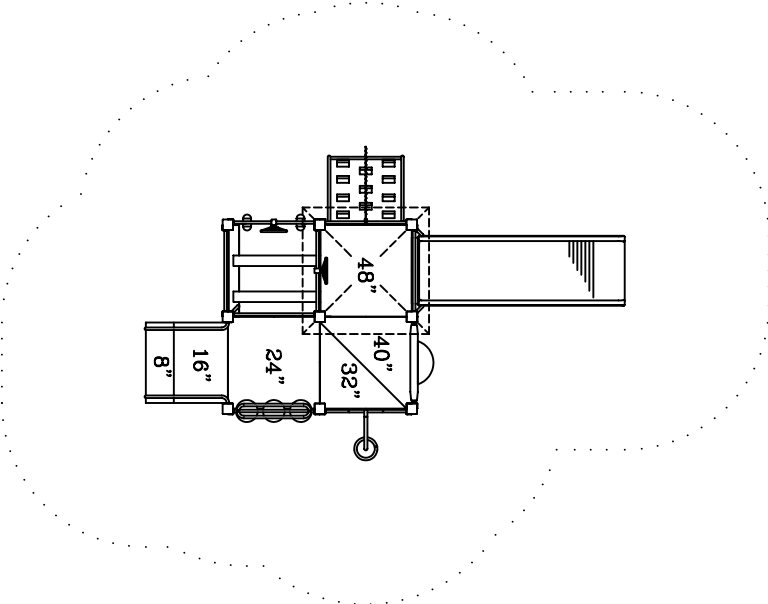


APPROPRIATE FOR CHILDREN 2 TO 5 YEARS OF AGE

- 4812-TF FEATURES:
- ACCESSIBLE TRANSFER STATION
 - BALUSTER WALL WITH SHIP'S WHEEL
 - BUBBLE PANEL
 - CLIMBING RAMP
 - COIL CLIMBER
 - SCHOOL BUS PANEL
 - SCHOOL BUS WITH WHEEL AND WOOD SEATS
 - SPELLING PANEL, BALUSTER WALL
 - WIDE CHUTE
 - WOOD ROOF

SAFE USE ZONE BORDER



WELCOME /
RULES SIGN

- ACCESSIBILITY PROFILE:
- 8 TOTAL PLAY COMPONENTS
 - 6 ELEVATED PLAY COMPONENTS (6 ACCESSIBLE)
 - 2 GROUND LEVEL PLAY COMPONENTS (2 ACCESSIBLE)

PLAY AREA, EQUIPMENT ONLY:
14' x 21' (4.3m x 6.5m)
MINIMUM SAFE USE ZONE:
26' x 33' (8.0m x 10.1m)



This drawing reveals the copyrighted intellectual property of Columbia Cascade Company. Not for use by others without our express, written authorization. Authorization for use is hereby granted to architects, landscape architects and similar design professionals solely for the purpose of specifying Timberform products.

Scale 1/8"=1'-0"
Drawn by: TB
CK'd by: CL
08-10-11
08-10-11



COLUMBIA CASCADE COMPANY
Makers of Timberform®, Pipeline®, RePlay®, Timberform®-2, InterPlay®, Cycloops® and Cycloaker® Products.

1300 S.W. Sixth Avenue, Suite 310 Telephone 503/223-1157
Portland, Oregon 97201-3464 Facsimile 503/223-4530
U.S.A.
WWW.TIMBERFORM.COM

Title:
TIMBERFORM
MODEL NO. 4812-TF
AREA DRAWING

Drawing No. W-4812-TF
Sheet 1 of 1