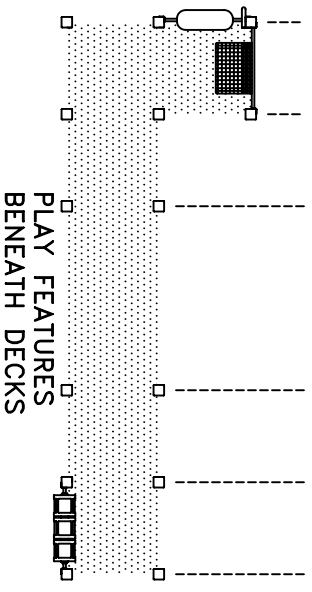
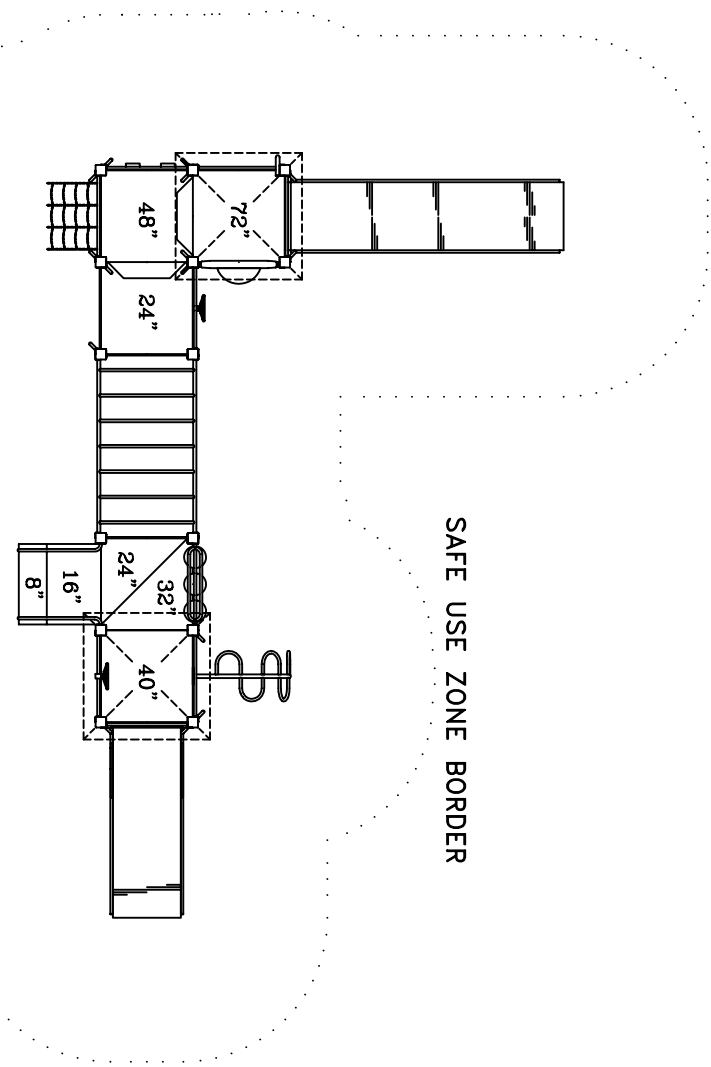


APPROPRIATE FOR CHILDREN 5 TO 12 YEARS OF AGE

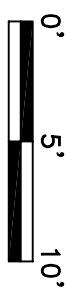
- 4868-RP FEATURES:
- ACCESSIBLE TRANSFER STATION
 - ADDITION PANEL
 - ARCH LOOP CLIMBER
 - BALUSTER WALL
 - BALUSTER WALL WITH SHIP'S WHEEL (2)
 - BLOCK CLIMBER
 - BUBBLE PANEL
 - CARGO NET
 - KID'S BENCH ON BALUSTER WALL
 - OVERHEAD SAFETY LADDER
 - SPELLING PANEL
 - STOREFRONT COUNTERTOP
 - TALK TUBE
 - WIDE CHUTE, STAINLESS STEEL WITH 6" (15cm) RAILS
 - WIDE WAVE CHUTE, STAINLESS STEEL WITH 6" (15cm) RAILS
 - RECYCLED PLASTIC ROOF (2)

- ACCESSIBILITY PROFILE:
- 14 TOTAL PLAY COMPONENTS
 - 10 ELEVATED PLAY COMPONENTS (5 ACCESSIBLE)
 - 4 GROUND LEVEL PLAY COMPONENTS (4 ACCESSIBLE)



PLAY AREA, EQUIPMENT ONLY:
32' x 23' (9.8m x 7.1m)
MINIMUM SAFE USE ZONE:
44' x 35' (13.5m x 10.7m)

WELCOME / RULES SIGN



This drawing reveals the copyrighted intellectual property of Columbia Cascade Company. Not for use by others without our express, written authorization. Authorization for use is hereby granted to architects, landscape architects and interior designers to reproduce this drawing solely for the purpose of specifying Timberform products.

Scale: 1/8"=1'-0"
Drawn by: TB
Checked by: CL
08-10-11
08-10-11

COLUMBIA CASCADE COMPANY
Makers of Timberform®, Pipeline®, Replay®, Timberform®-2, InterPlay®, Cycloops® and Cyclocker® Products.

1300 S.W. Sixth Avenue, Suite 310
Portland, Oregon 97201-3464
U.S.A. Telephone 503/223-1157
Facsimile 503/223-4530

WWW.TIMBERFORM.COM

Title: **TIMBERFORM REPLAY**
MODEL NO. 4868-RP
AREA DRAWING

Drawing No. **W-4868-RP**
Sheet **1** of **1**