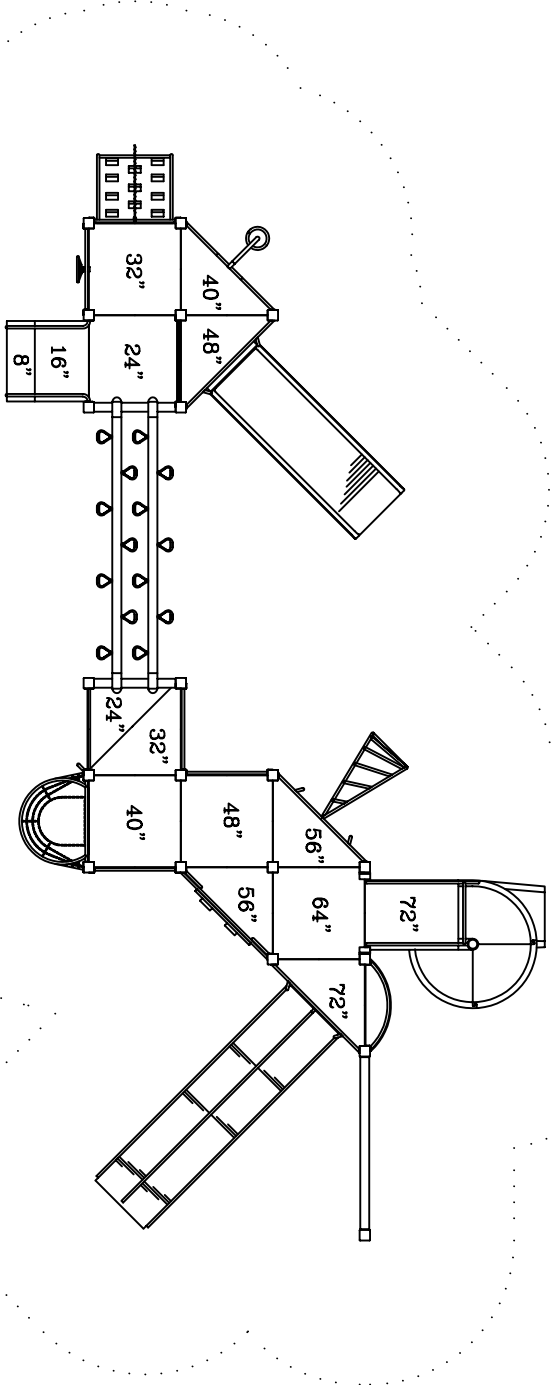


APPROPRIATE FOR CHILDREN 5 TO 12 YEARS OF AGE

SAFE USE ZONE BORDER

4877-TF FEATURES:

- ABACUS
- ACCESSIBLE TRANSFER STATION
- BALUSTER WALL (3)
- BALUSTER WALL WITH SHIP'S WHEEL
- BLOCK CLIMBER
- CARGO NET CLIMBER
- CLIMBING RAMP
- COIL CLIMBER
- FUNNEL NET CLIMBER
- LOOKOUT PLATFORM, BALUSTER WALL
- RING BEAM, DOUBLE, 12' (366cm)
- SPIRAL SLIDE CHUTE
- TWISTING CLIMBER
- WIDE CHUTE
- WIDE WAVE CHUTE WITH CENTER RAIL, STAINLESS STEEL WITH 6" (15cm) RAILS



- ACCESSIBILITY PROFILE:
- 12 TOTAL PLAY COMPONENTS
 - 9 ELEVATED PLAY COMPONENTS (9 ACCESSIBLE)
 - 3 GROUND LEVEL PLAY COMPONENTS (3 ACCESSIBLE)

WELCOME / RULES SIGN

PLAY AREA, EQUIPMENT ONLY:
46' x 23' (14.1m x 7.1m)

MINIMUM SAFE USE ZONE:
58' x 35' (17.7m x 10.7m)



This drawing reveals the copyrighted intellectual property of Columbia Cascade Company. Not for use by others without our express, written authorization.

Authorization for use is hereby granted to architects, interior designers and smaller design professionals solely for the purpose of specifying Timberform products.

Scale: 1/8"=1'-0"

Drawn by: TB

Checked by: CL

08-10-11

08-10-11

COLUMBIA CASCADE COMPANY

Makers of Timberform®, Pipeline®, RePlay®, Timberform®-2, InterPlay®, Cycloops® and Cyclocker® Products.

1300 S.W. Sixth Avenue, Suite 310
Portland, Oregon 97201-3464
U.S.A. Telephone 503/223-1157
Facsimile 503/223-4530

WWW.TIMBERFORM.COM

Title: **TIMBERFORM**

MODEL NO. 4877-TF

AREA DRAWING

Drawing No. **W-4877-TF**

Sheet **1** of **1**