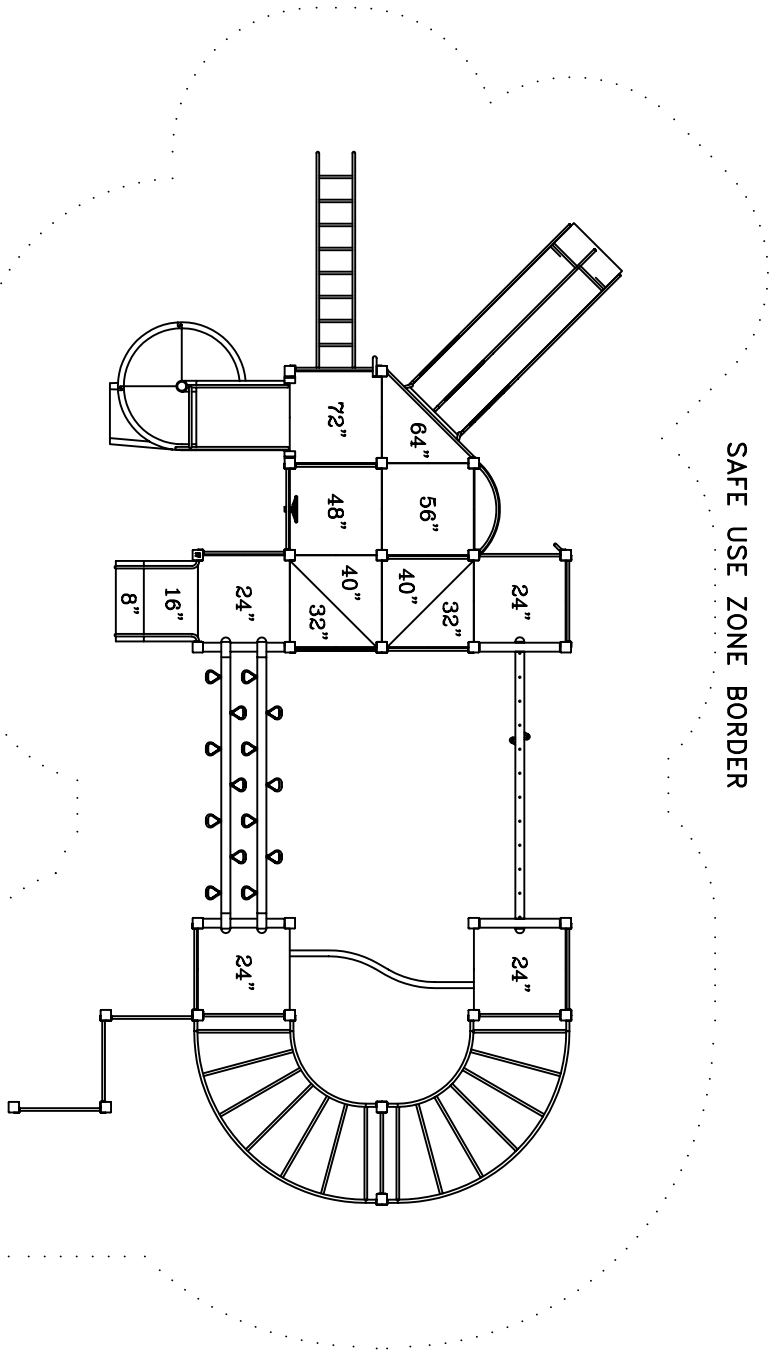


APPROPRIATE FOR CHILDREN 5 TO 12 YEARS OF AGE

SAFE USE ZONE BORDER

- 4885-TF FEATURES:
- ACCESSIBLE TRANSFER STATION
 - BALUSTER WALL (8)
 - BALUSTER WALL WITH SHIP'S WHEEL CHINNING BAR (3)
 - CURVED BALANCE BEAM
 - CURED OVERHEAD LADDER (2)
 - KID'S BENCH ON BALUSTER WALL
 - LOOKOUT PLATFORM, BALUSTER WALL
 - LOOP CLIMBER WITH HANDRAILS
 - RING BEAM, DOUBLE, 12' (366cm)
 - SPIRAL SLIDE CHUTE
 - TALK TUBE
 - TRACK RIDE, 12' (366cm)
 - WIDE CHUTE WITH CENTER RAIL, STAINLESS STEEL WITH 6" (15cm) RAILS



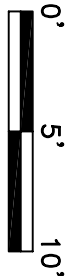
- ACCESSIBILITY PROFILE:
- 13 TOTAL PLAY COMPONENTS
 - 9 ELEVATED PLAY COMPONENTS (9 ACCESSIBLE)
 - 4 GROUND LEVEL PLAY COMPONENTS (4 ACCESSIBLE)

PLAY FEATURES
BENEATH DECKS

WELCOME/
RULES SIGN

PLAY AREA, EQUIPMENT ONLY:
44' x 26' (13.5m x 8.0m)

MINIMUM SAFE USE ZONE:
56' x 38' (17.1m x 11.6m)



This drawing reveals the copyrighted intellectual property of Columbia Cascade Company. Not for use by others without our express, written authorization.

Authorization for use is hereby granted to architects, landscape architects and smaller design professionals solely for the purpose of specifying Timberform products.

Scale: 1/8"=1'-0"

Drawn by: TB

Checked by: CL

08-10-11

08-10-11



COLUMBIA CASCADE COMPANY

Makers of Timberform®, Pipeline®, RePlay®, Timberform®-2, InterPlay®, Cycloops® and Cyclocker® Products.

1300 S.W. Sixth Avenue, Suite 310 Portland, Oregon 97201-3464 U.S.A.

Telephone 503/223-1157 Facsimile 503/223-4530

WWW.TIMBERFORM.COM

Title: **TIMBERFORM**

MODEL NO. 4885-TF

AREA DRAWING

Drawing No. **W-4885-TF**

Sheet **1** of **1**