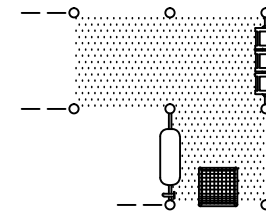
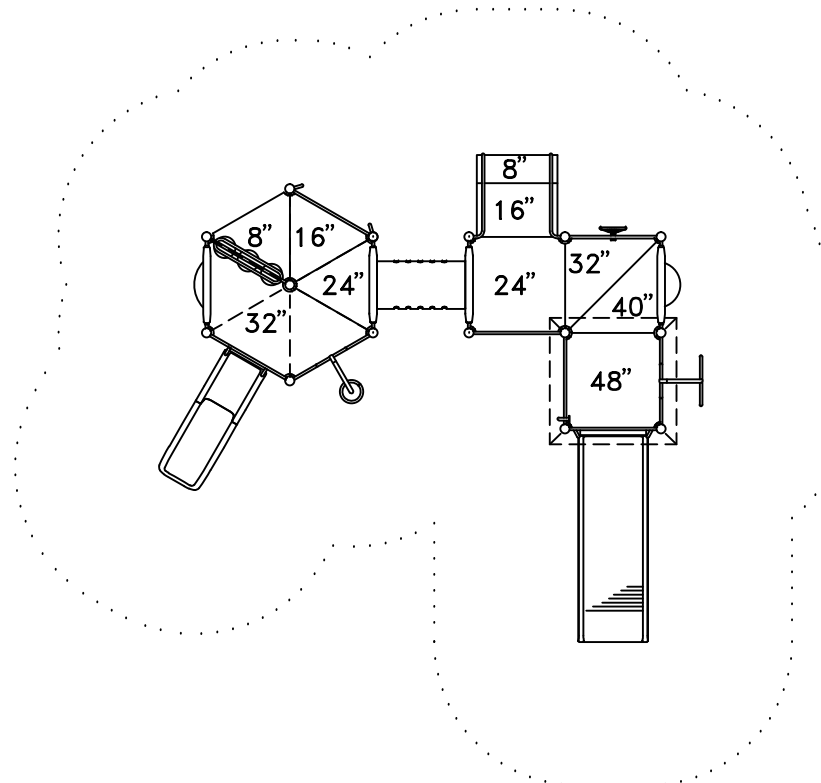


APPROPRIATE FOR CHILDREN 2 TO 5 YEARS OF AGE

9839 FEATURES:

- ACCESSIBLE ENTRANCE DECK
- ACCESSIBLE TRANSFER STATION
- BALUSTER WALL
- BALUSTER WALL WITH SHIP'S WHEEL
- BUBBLE PANEL
- COIL CLIMBER
- CONVEX/FLAT MIRROR PANEL
- KID'S BENCH
- MAZE PANEL
- PERFORATED STEEL ROOF
- SPELLING PANEL
- STOREFRONT COUNTERTOP
- TALK TUBE
- TIC-TAC-TOE
- SLIDE CHUTE, STRAIGHT
- TUNNEL CRAWL WITH WINDOWS
- VERTICAL LOOP CLIMBER
- WIDE CHUTE

SAFE USE ZONE BORDER



PLAY FEATURES
BENEATH DECKS

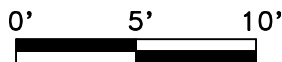
WELCOME/
RULES SIGN

PLAY AREA, EQUIPMENT ONLY:
23' x 21' (7.0m x 6.4m)

MINIMUM SAFE USE ZONE:
35' x 33' (10.7m x 10.0m)

ACCESSIBILITY PROFILE:

- 15 TOTAL PLAY COMPONENTS
- 9 ELEVATED PLAY COMPONENTS
(9 ACCESSIBLE)
- 6 GROUND LEVEL PLAY COMPONENTS
(6 ACCESSIBLE)



This drawing reveals the copyrighted intellectual property of Columbia Cascade Company. Not for use by others without our express, written authorization.

Authorization for use is hereby granted to architects, landscape architects and similar design professionals solely for the purpose of specifying TimberForm products.

07-02-15 UPDATE SLIDE & ROOF AT/ian

Scale	Drawn by: AT	08-08-11
1/8" = 1'-0"	Ck'd by: CL	08-08-11



COLUMBIA CASCADE COMPANY

Makers of TimberForm®, PipeLine®,
RePlay®, TimberForm®-2, InterPlay®,
CycLoops® and CycLocker® Products.

1300 S.W. Sixth Avenue, Suite 310 Telephone 503/223-1157
Portland, Oregon 97201-3464 Facsimile 503/223-4530
U.S.A.

WWW.TIMBERFORM.COM

Title:
PIPELINE
MODEL NO. 9839
AREA DRAWING

Drawing No.
W-9839

Sheet
1 of 1