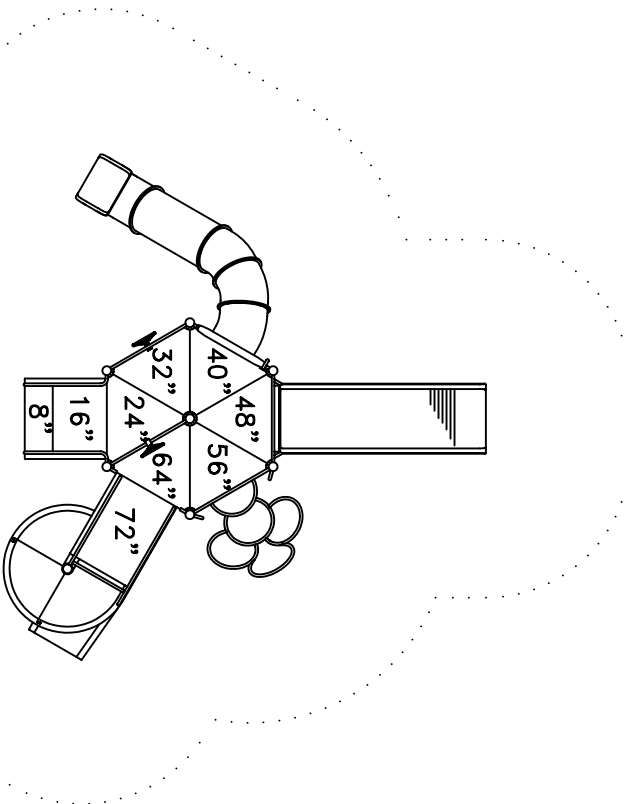


APPROPRIATE FOR CHILDREN 5 TO 12 YEARS OF AGE

SAFE USE ZONE BORDER

- 9852 FEATURES:
- ACCESSIBLE TRANSFER STATION
 - ARCH RING CLIMBER
 - DECORATIVE WALL WITH SHIP'S WHEEL (2)
 - KID'S BENCH
 - SPIRAL SLIDE CHUTE
 - TALK TUBE
 - TUBE CHUTE, CURVED
 - WIDE CHUTE



WELCOME/
RULES SIGN

PLAY AREA, EQUIPMENT ONLY:
22' x 21' (6.8m x 6.5m)
MINIMUM SAFE USE ZONE:
34' x 33' (10.4m x 10.1m)

- ACCESSIBILITY PROFILE:
- 8 TOTAL PLAY COMPONENTS
 - 6 ELEVATED PLAY COMPONENTS (6 ACCESSIBLE)
 - 2 GROUND LEVEL PLAY COMPONENTS (2 ACCESSIBLE)

PLAY FEATURES
BENEATH DECKS

This drawing reveals the copyrighted intellectual property of Columbia Cascade Company. Not for use by others without our express, written authorization.

Authorization for use is hereby granted to architects, interior architects and similar design professionals solely for the purpose of specifying Timberform products.

COLUMBIA CASCADE COMPANY
Makers of Timberform®, Pipeline®, RePlay®, Timberform-2, InterPlay®, Cycloops® and Cycloaker® Products.

1300 S.W. Sixth Avenue, Suite 310 Telephone 503/223-1157
Portland, Oregon 97201-3464 Facsimile 503/223-4530
U.S.A.

Title:
PIPELINE
MODEL NO. 9852
AREA DRAWING

Scale
1/8"=1'-0"

Drawn by: AT
CK'd by: CL

08-08-11
08-08-11

Drawing No. **W-9852**

Sheet **1** of **1**

