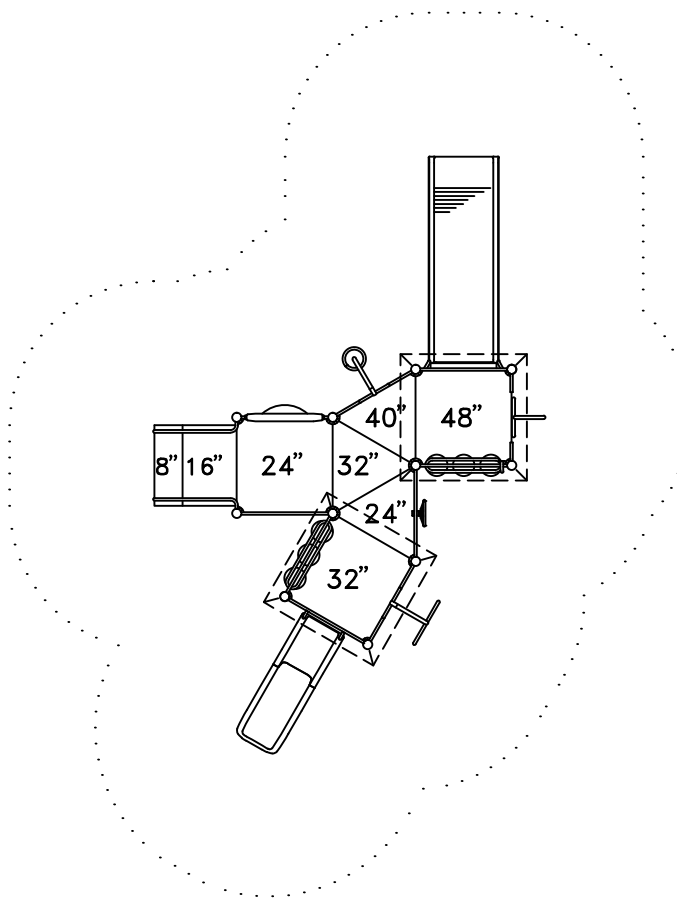


APPROPRIATE FOR CHILDREN 5 TO 12 YEARS OF AGE

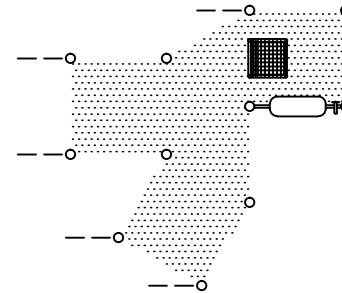
9860 FEATURES:

- ACCESSIBLE TRANSFER STATION
- BALUSTER WALL
- BALUSTER WALL WITH SHIP'S WHEEL
- COIL CLIMBER
- CONVEX/FLAT MIRROR PANEL
- KID'S BENCH
- SPELLING PANEL, BALUSTER WALL
- STOREFRONT COUNTERTOP
- TALK TUBE
- TIC-TAC-TOE
- SLIDE CHUTE, STRAIGHT
- VERTICAL LOOP CLIMBER
- VERTICAL SAFETY CLIMBER
- WIDE CHUTE
- WOOD ROOF (2)

SAFE USE ZONE BORDER



PLAY FEATURES BENEATH DECKS

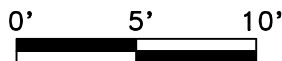


WELCOME/RULES SIGN

ACCESSIBILITY PROFILE:

- 13 TOTAL PLAY COMPONENTS
- 9 ELEVATED PLAY COMPONENTS  
(9 ACCESSIBLE)
- 4 GROUND LEVEL PLAY COMPONENTS  
(4 ACCESSIBLE)

PLAY AREA, EQUIPMENT ONLY:  
17' x 25' (5.2m x 7.6m)  
MINIMUM SAFE USE ZONE:  
29' x 37' (8.9m x 11.2m)



This drawing reveals the copyrighted intellectual property of Columbia Cascade Company. Not for use by others without our express, written authorization.

Authorization for use is hereby granted to architects, landscape architects and similar design professionals solely for the purpose of specifying TimberForm products.

▲ 07-02-15 UPDATE SLIDE AT/ian

Scale	Drawn by: AT	08-08-11
1/8"=1'-0"	Ck'd by: CL	08-08-11



COLUMBIA CASCADE COMPANY

Makers of TimberForm®, PipeLine®, RePlay®, TimberForm®-2, InterPlay®, CycLoops® and CycLocker® Products.

1300 S.W. Sixth Avenue, Suite 310 Telephone 503/223-1157  
Portland, Oregon 97201-3464 Facsimile 503/223-4530  
U.S.A.

WWW.TIMBERFORM.COM

Title:  
PIPELINE  
MODEL NO. 9860  
AREA DRAWING

Drawing No.  
W-9860

Sheet  
1 of 1